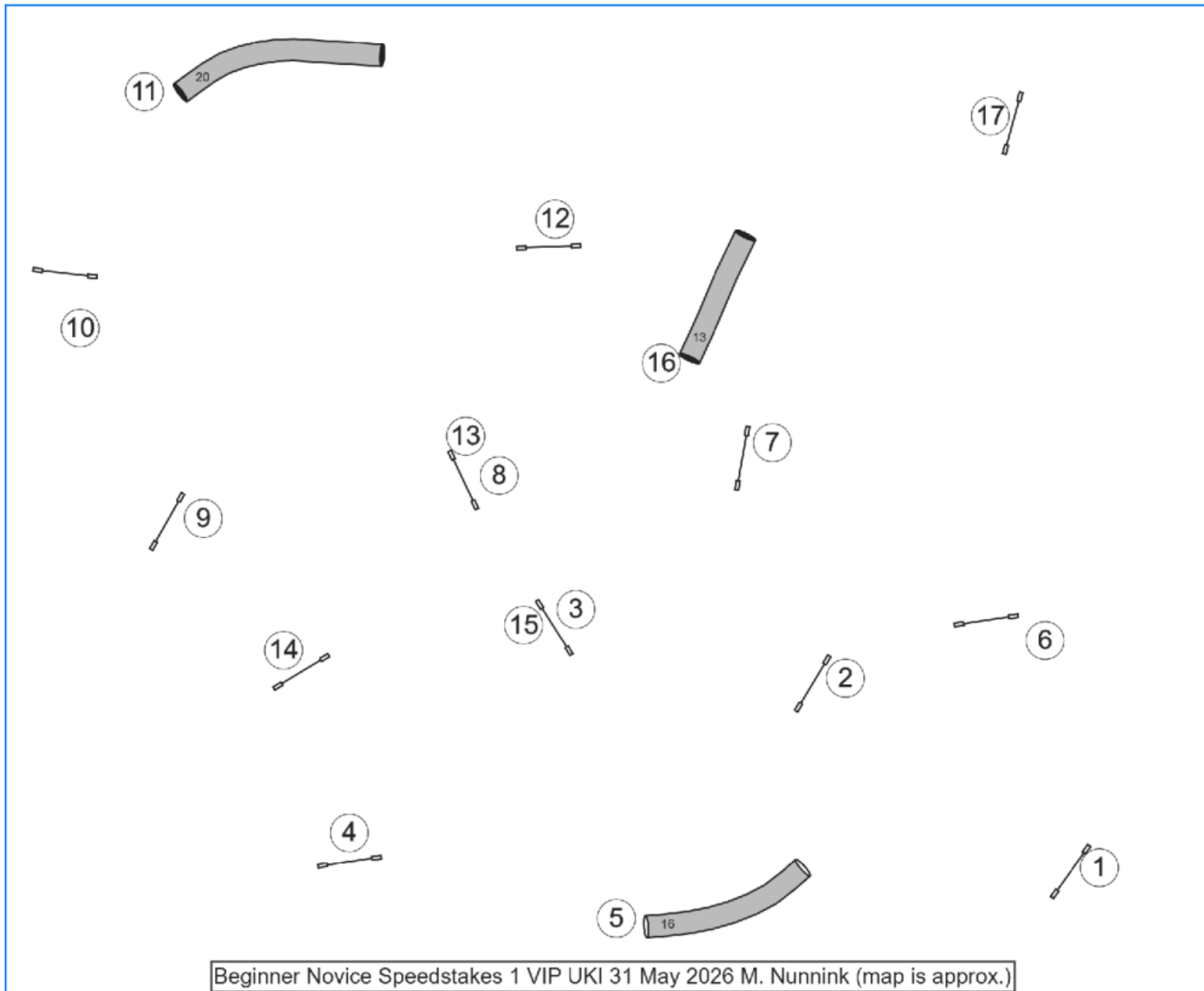


1VIP5.31SS1BN Speedstakes 1 Beginner Novice

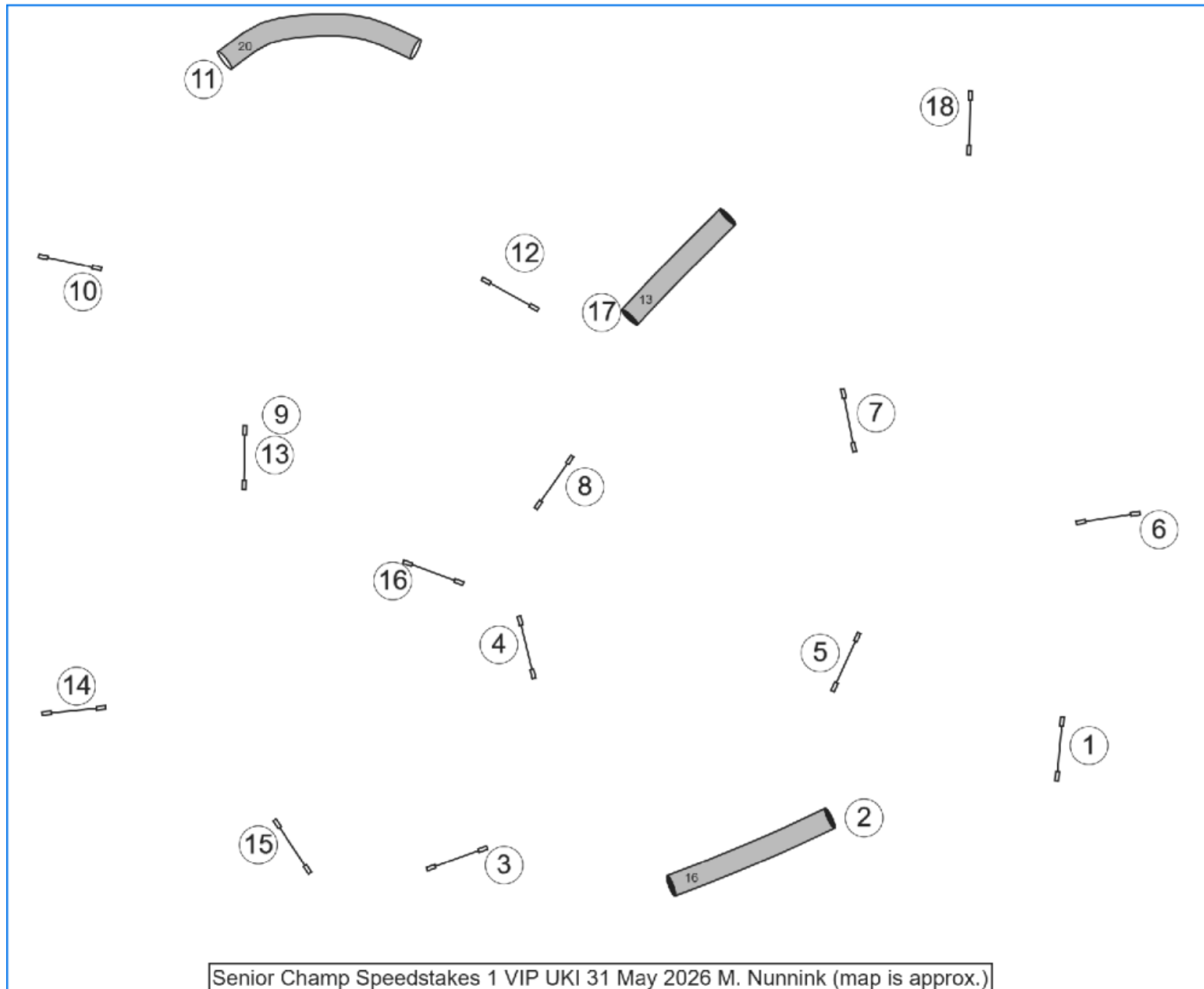


Beginner Novice Speedstakes 1 VIP UKI 31 May 2026 M. Nunnink (map is approx.)

Path length (ft): 472.7

www.smarteragility.com
© fig8train@gmail.com; M. Nunnink

2VIP5.31SS1SC Speedstakes 1 Senior Champion

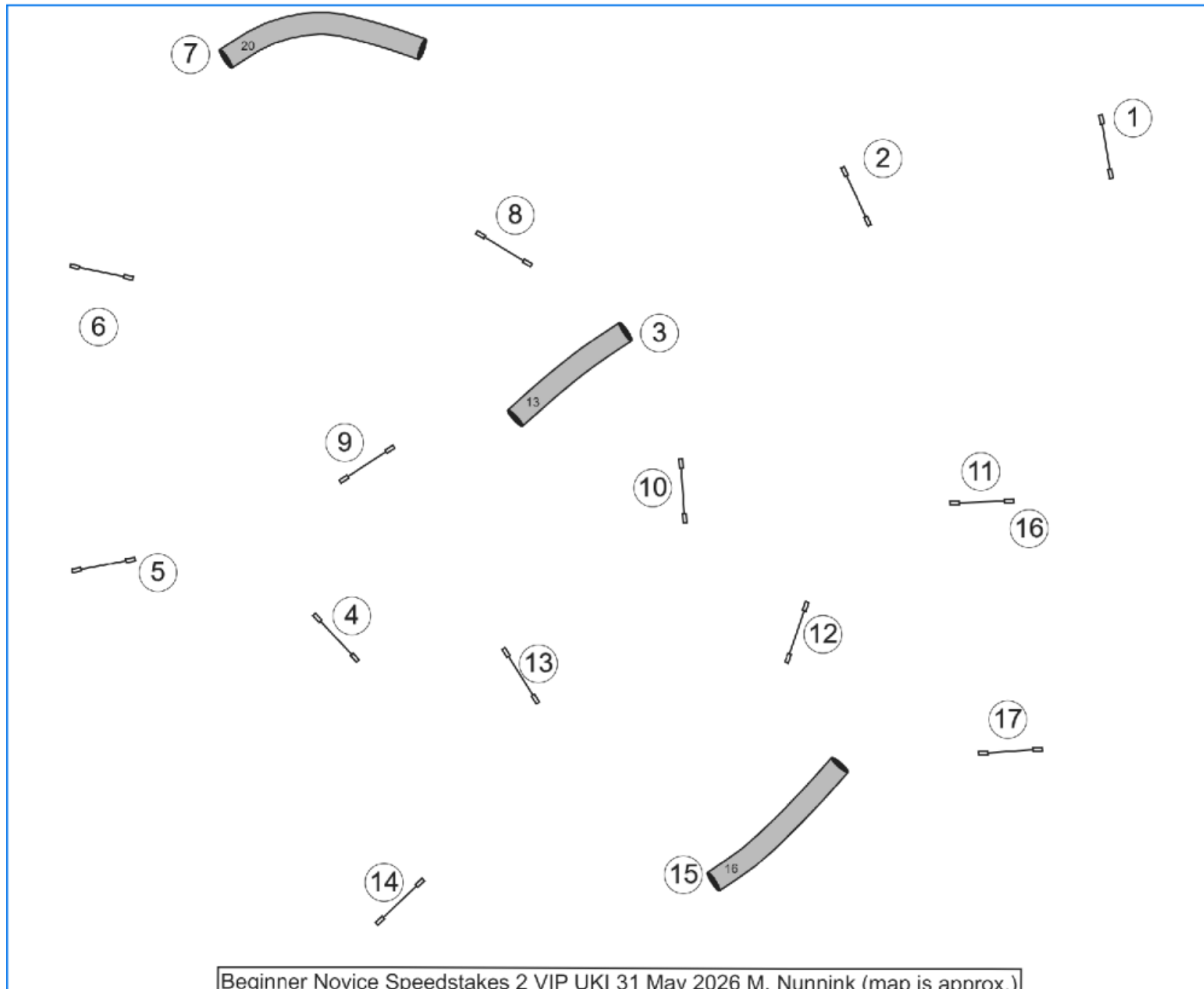


Senior Champ Speedstakes 1 VIP UKI 31 May 2026 M. Nunnink (map is approx.)

Path length (ft): 502.7

www.smarteragility.com
© fig8train@gmail.com; M. Nunnink

3VIP5.31SS2BN Speedstakes 2 Beginner Novice

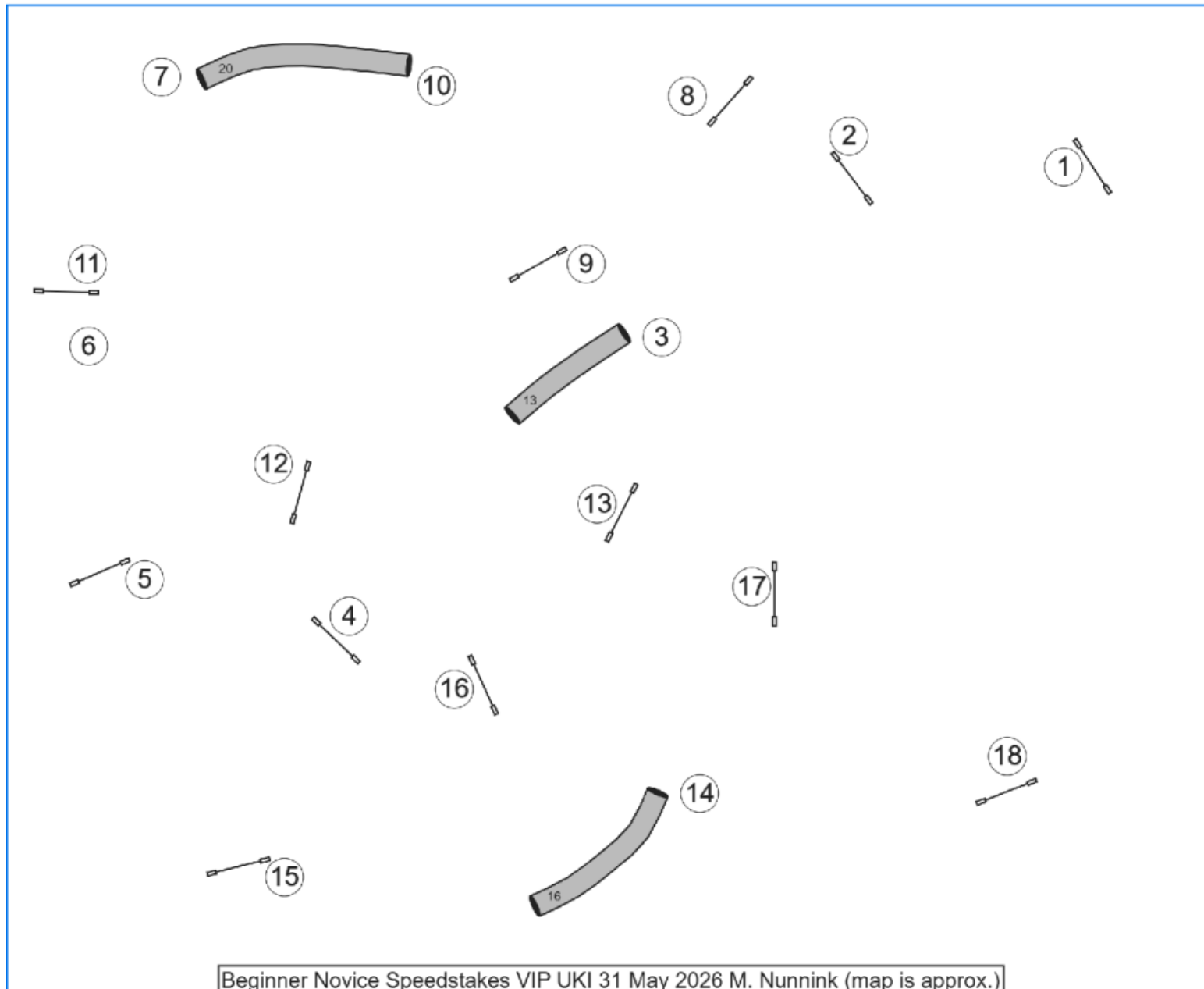


Beginner Novice Speedstakes 2 VIP UKI 31 May 2026 M. Nunnink (map is approx.)

Path length (ft): 462.8

www.smarteragility.com
© fig8train@gmail.com; M. Nunnink

4VIP5.31SS2SC Speedstakes 2 Senior Champion

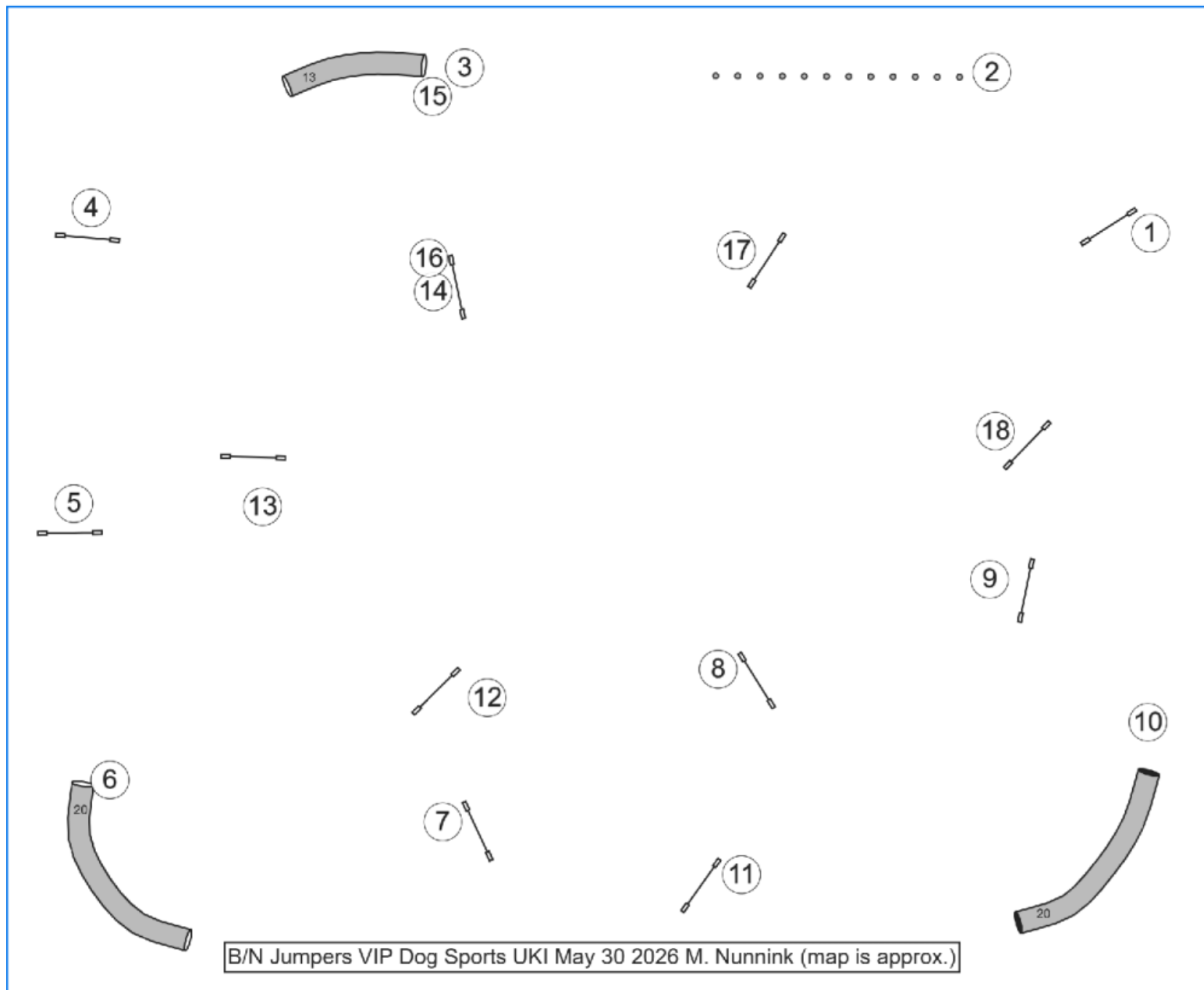


Beginner Novice Speedstakes VIP UKI 31 May 2026 M. Nunnink (map is approx.)

Path length (ft): 525.7

www.smarteragility.com
© fig8train@gmail.com; M. Nunnink

7VIP5.30JumpBN Jumping Beginner Novice

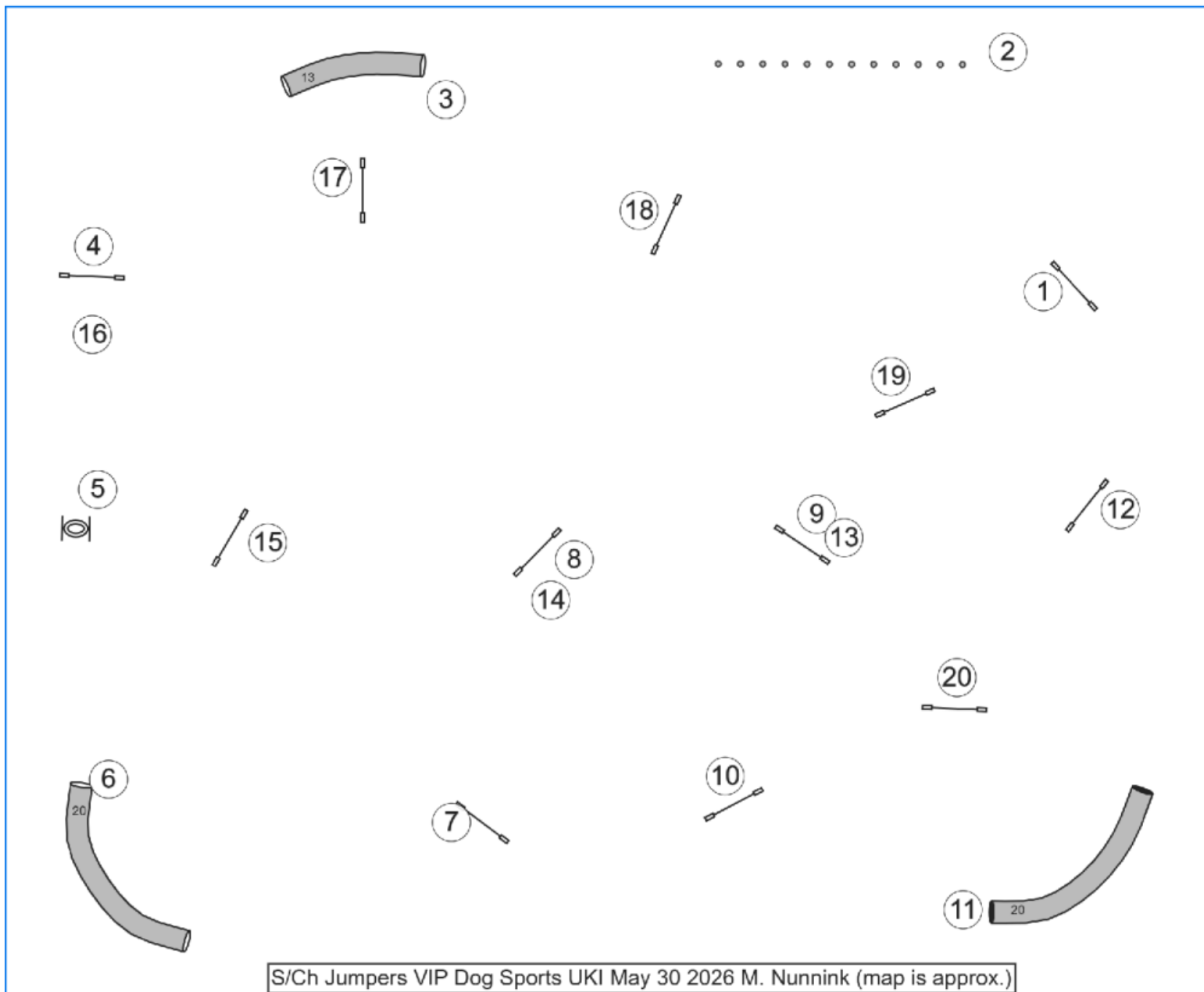


B/N Jumpers VIP Dog Sports UKI May 30 2026 M. Nunnink (map is approx.)

Path length (ft): 540.5
Course is an approximation

www.smarteragility.com
© fig8train@gmail.com; M. Nunnink

6VIP5.30JumpSC Jumpers Senior Champ

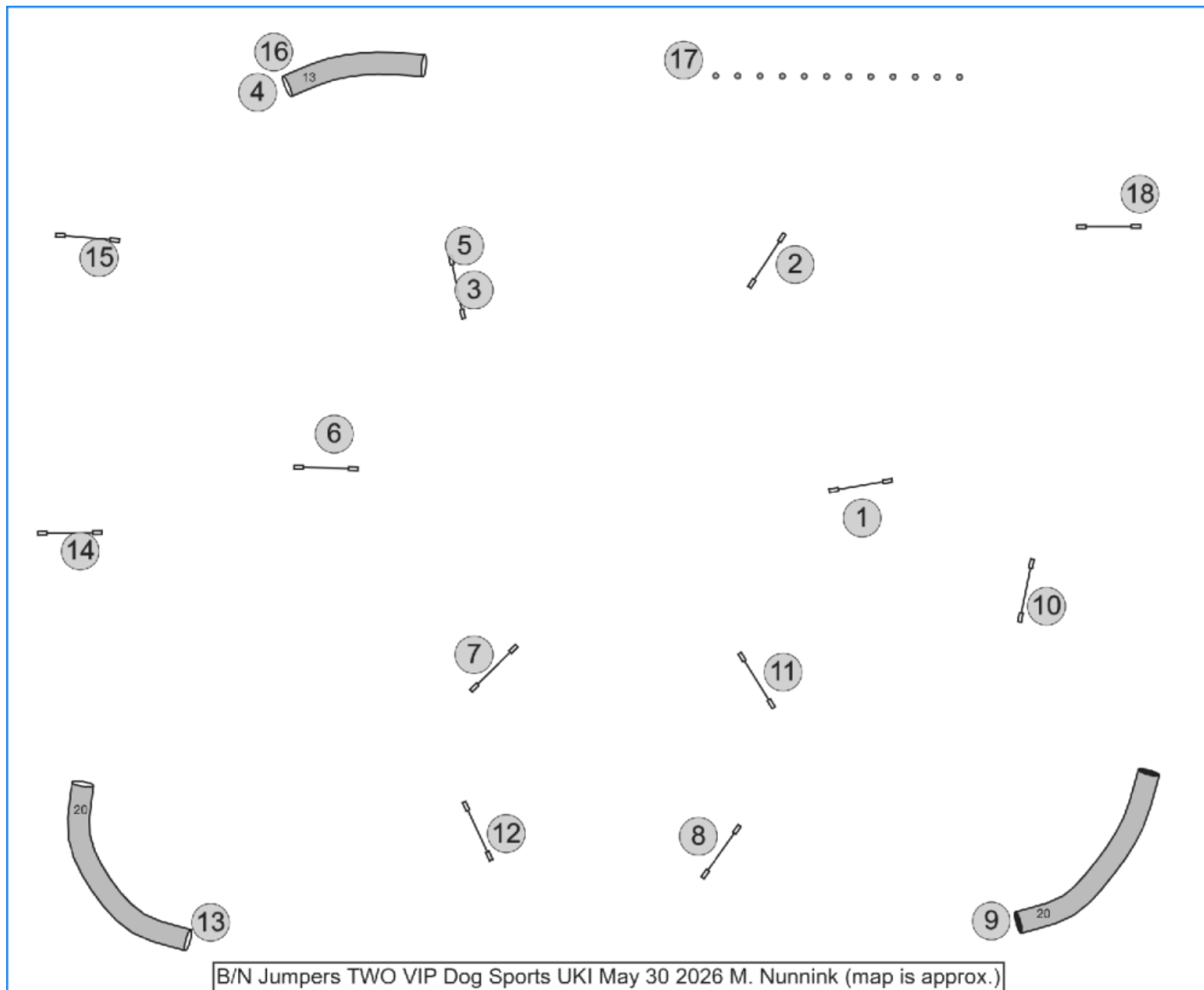


S/Ch Jumpers VIP Dog Sports UKI May 30 2026 M. Nunnink (map is approx.)

Path length (ft): 589.7
Course is an approximation

www.smarteragility.com
© fig8train@gmail.com; M. Nunnink

7(B)VIP5.30Jump2BN Jumping TWO Beginner Novice

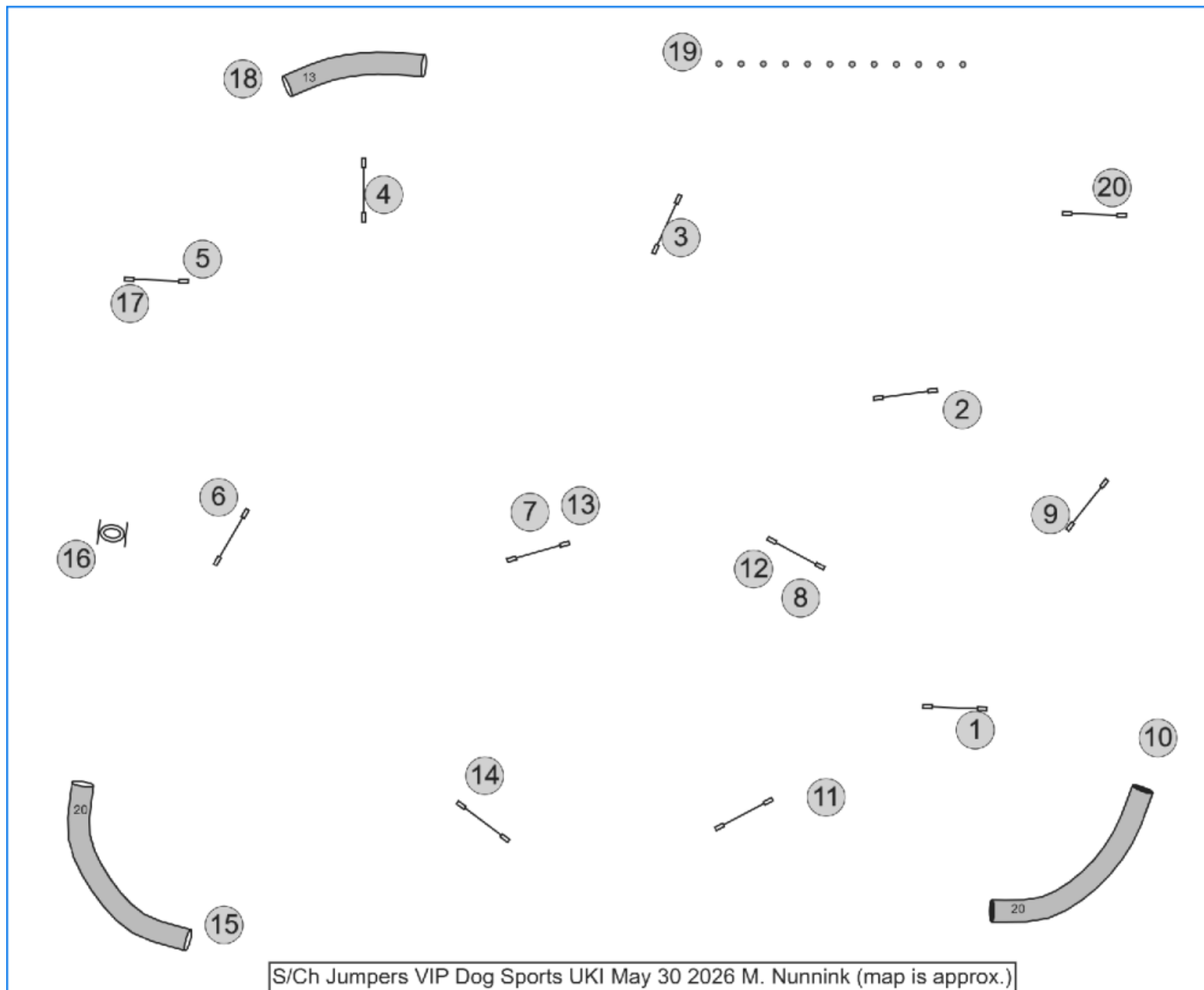


B/N Jumpers TWO VIP Dog Sports UKI May 30 2026 M. Nunnink (map is approx.)

Path length (ft): 523.3
Course is an approximation

www.smarteragility.com
© fig8train@gmail.com; M. Nunnink

6(B)VIP5.30Jump2SC Jumpers TWO Senior Champ

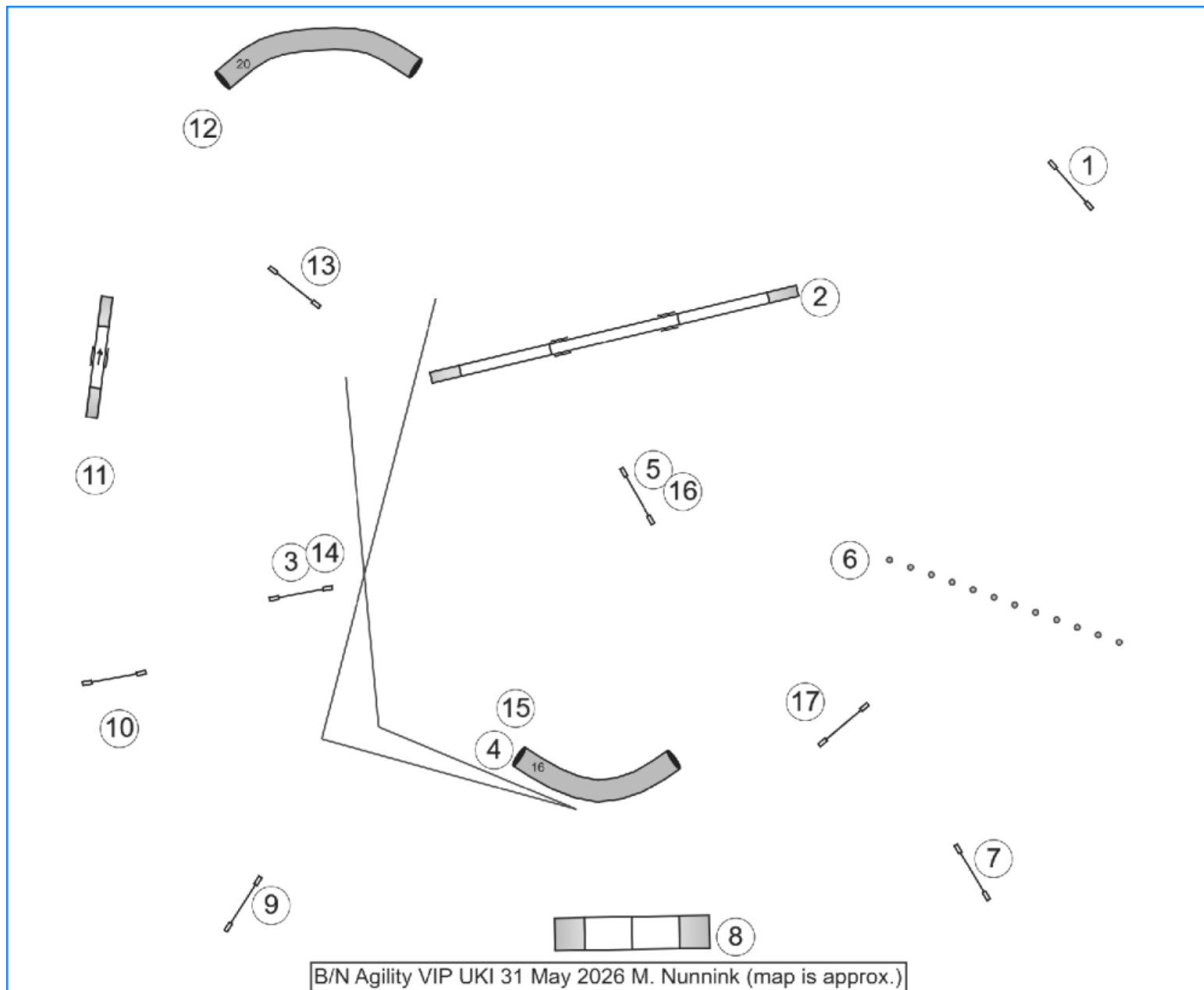


S/Ch Jumpers VIP Dog Sports UKI May 30 2026 M. Nunnink (map is approx.)

Path length (ft): 575.5
Course is an approximation

www.smarteragility.com
© fig8train@gmail.com; M. Nunnink

9VIP5.31AgIBN Agility Beginner Novice

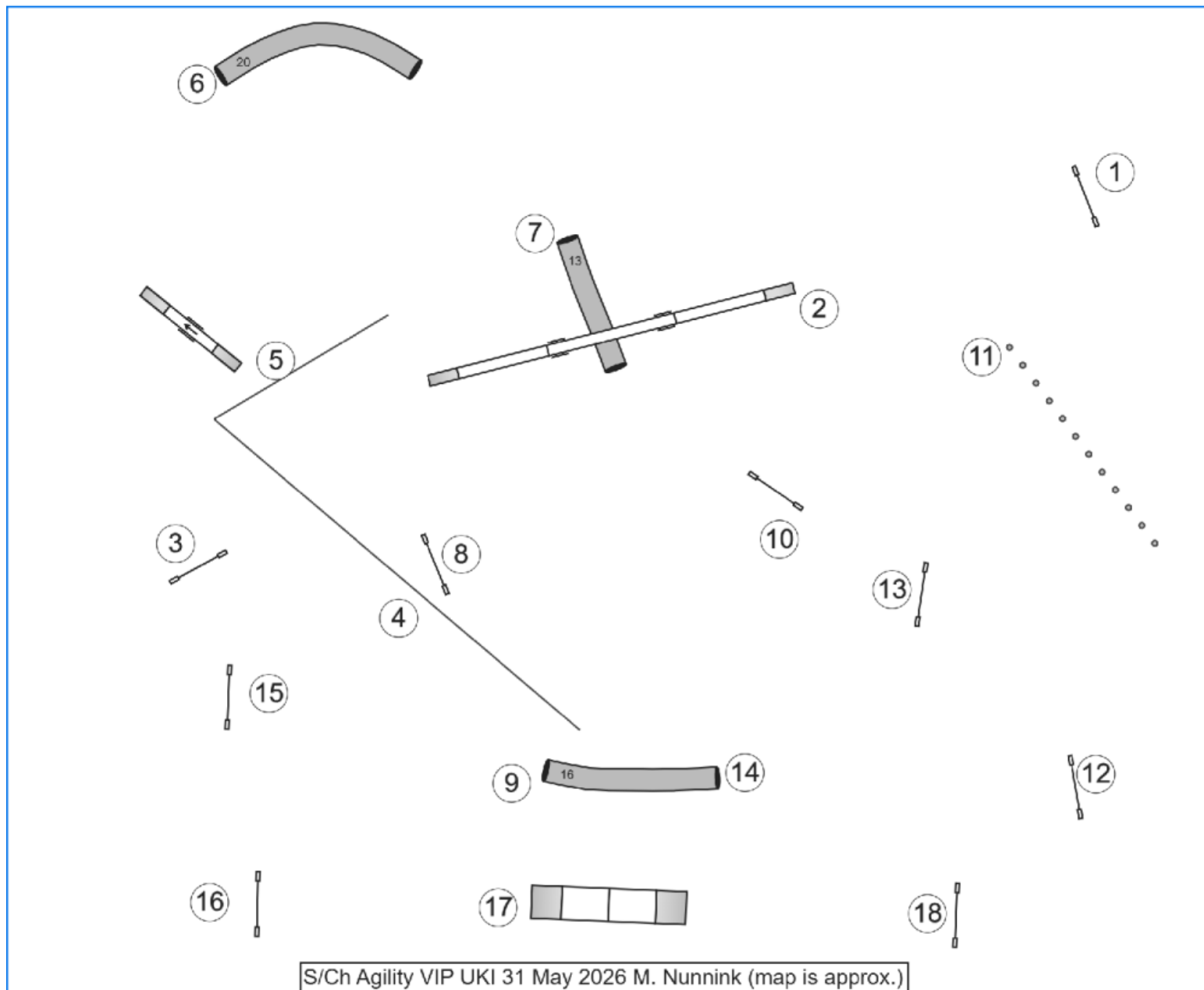


B/N Agility VIP UKI 31 May 2026 M. Nunnink (map is approx.)

Path length (ft): 563.4

www.smarteragility.com
© fig8train@gmail.com; M. Nunnink

10VIP5.31AgISC Agility Senior Champion



S/Ch Agility VIP UKI 31 May 2026 M. Nunnink (map is approx.)

Path length (ft): 601.2

www.smarteragility.com
© fig8train@gmail.com; M. Nunnink