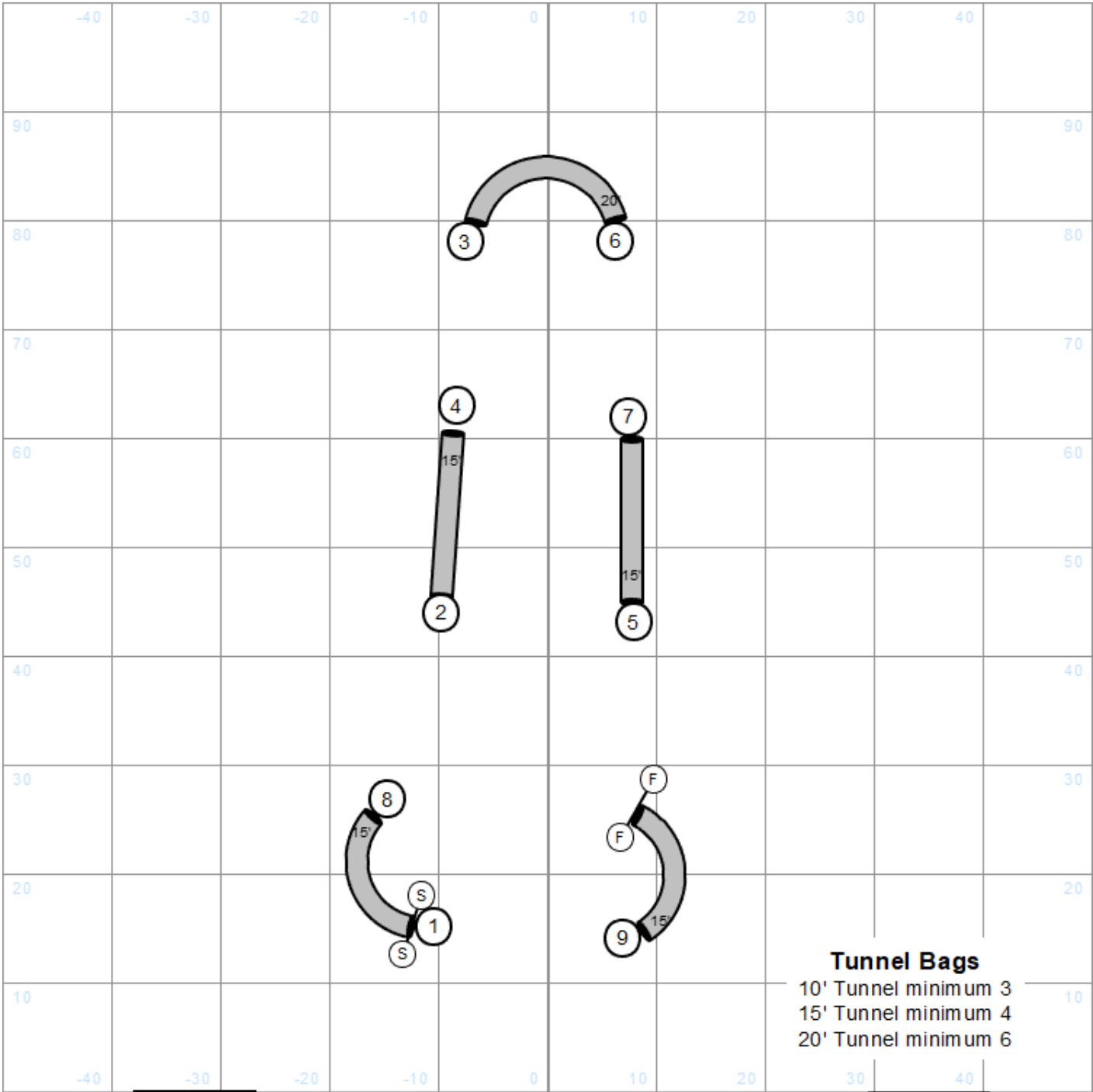


Enter/Exit

Pitstop 1
 May 15 2026
Southern Berkshire Agility Dogs
 Stephentown, NY

Enter/Exit

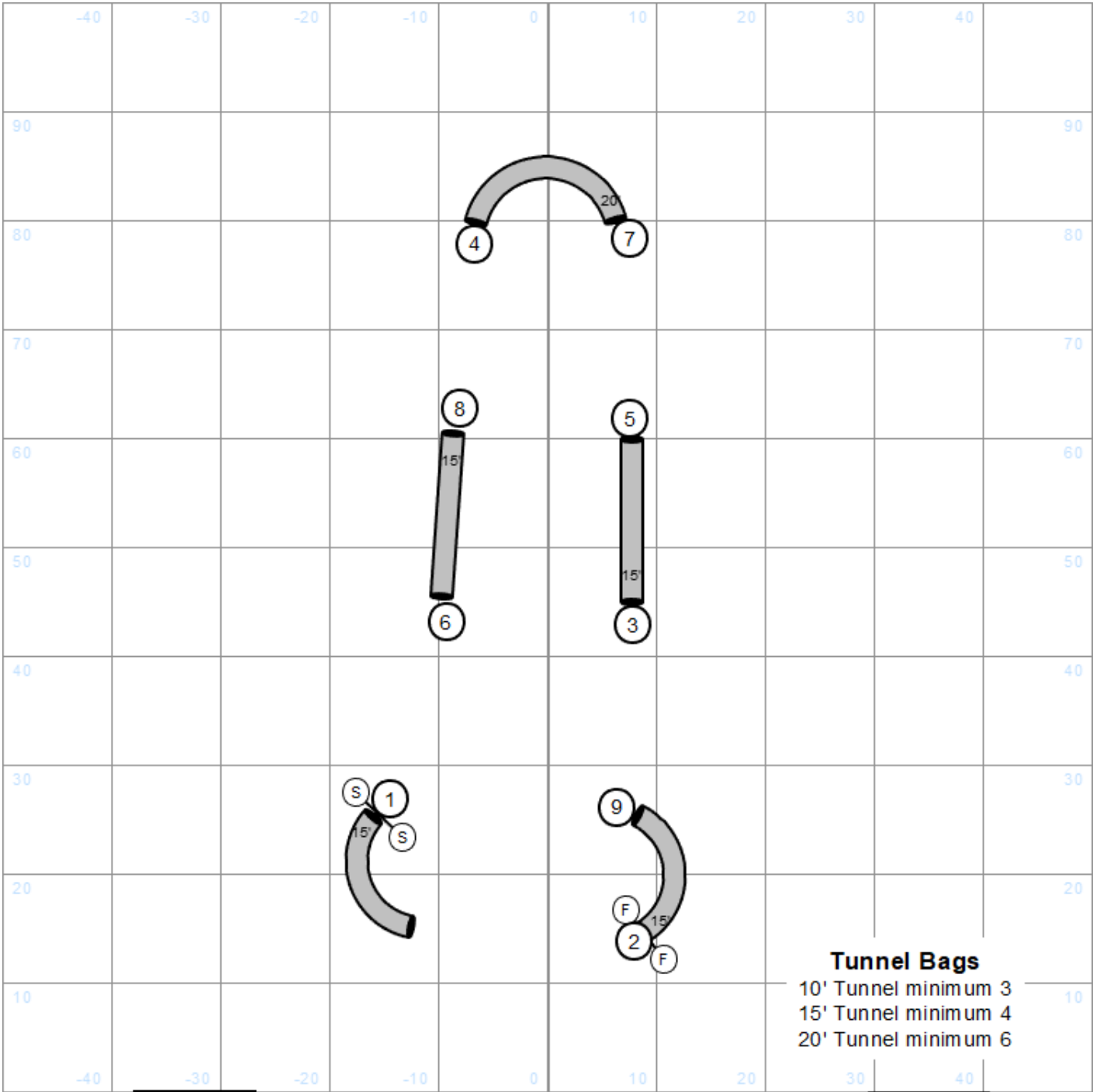


Tunnel Bags
 10' Tunnel minimum 3
 15' Tunnel minimum 4
 20' Tunnel minimum 6

Enter/Exit

Pitstop 2
 May 15 2026
Southern Berkshire Agility Dogs
 Stephentown, NY

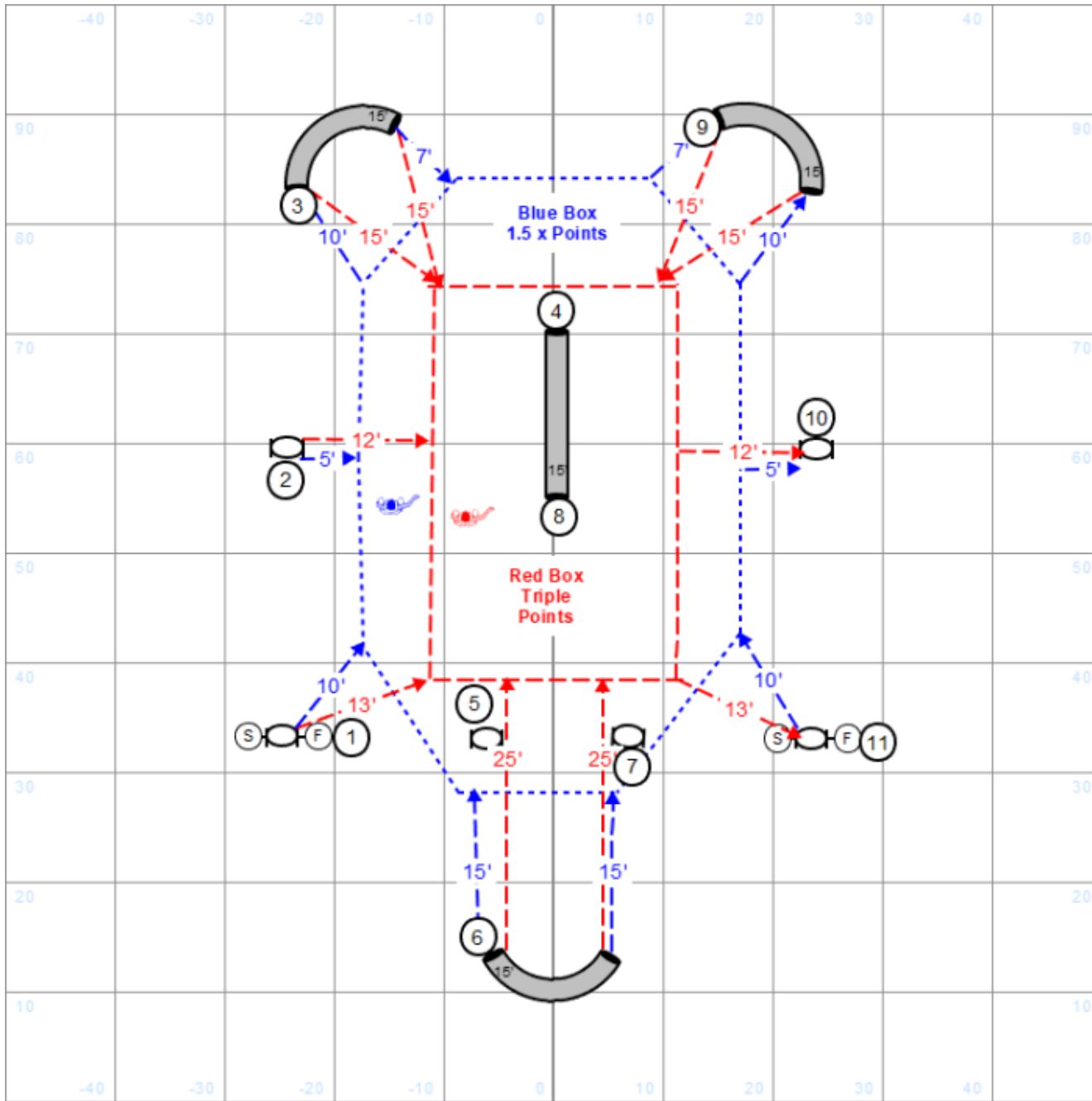
Enter/Exit



Enter/Exit

Pitstop 3
 May 15 2026
Southern Berkshire Agility Dogs
 Stephentown, NY

Enter/Exit



Slingshot 1
 May 15 2026
 Southern Berkshire Agility Dogs
 Stephentown, NY
Inside the Box Challenge

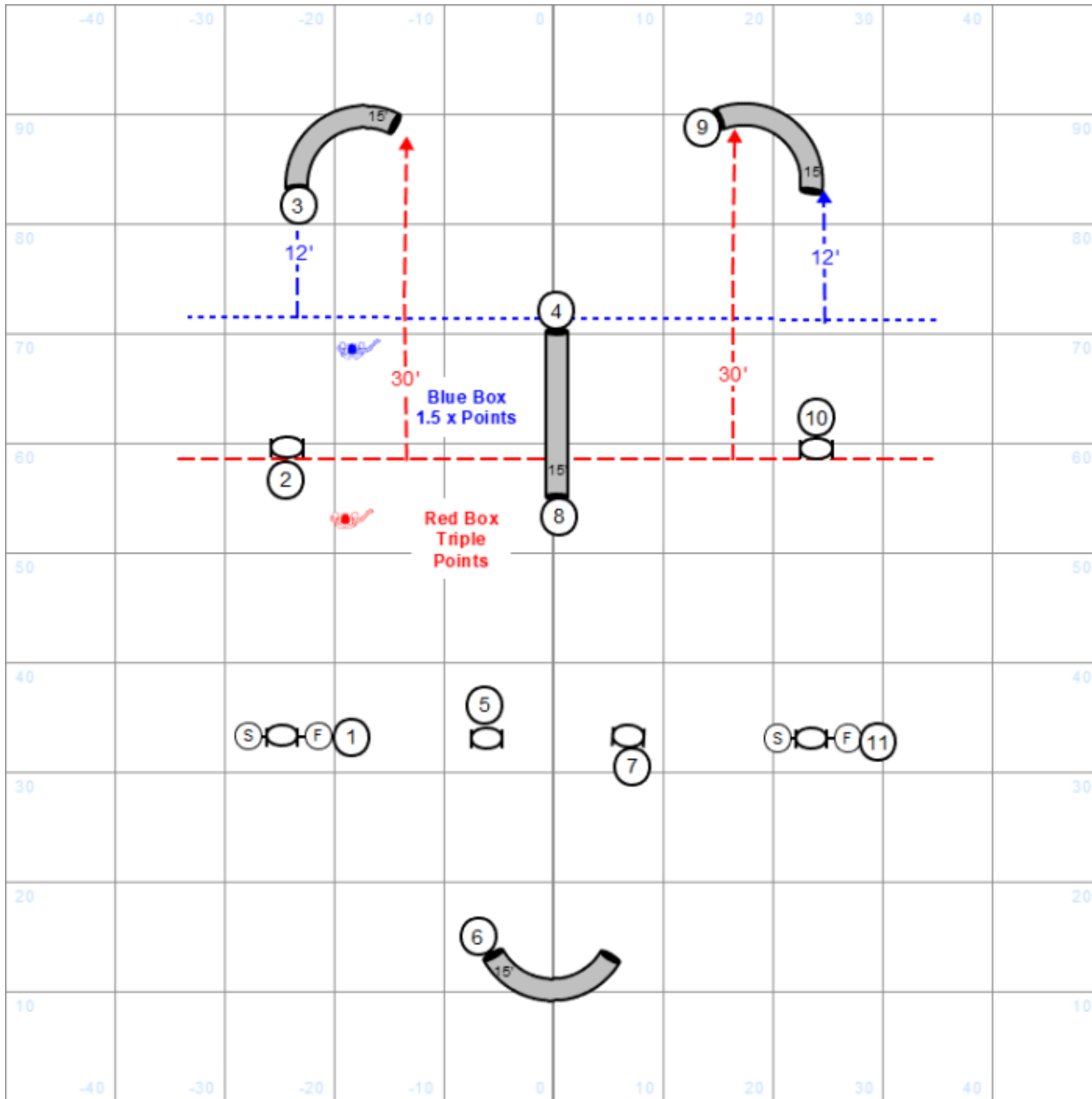
Handler must be inside the Blue or Red box before the dog starts the first distance obstacle. In order to attain the 3X multiplier the handler must stay Inside the Red Box while the dog performs obstacles 1- 3, 5-7, 9-11. In order to attain the 1.5X multiplier the handler must stay inside the Blue Box while the dog performs obstacles 2, 3, 6, 9-11 In addition, all obstacles on the course must be performed without any required corrections to qualify with a multiplier. Obstacle corrections allow for a score but in that case the multiplier is voided.

Handlers may choose to run the entire path with their dog for no multiplier.

Start and Finish Obstacles are Bidirectional

Tunnel Bag Sets

- 10' Tunnel minimum 3
- 15' Tunnel minimum 4
- 20' Tunnel minimum 6



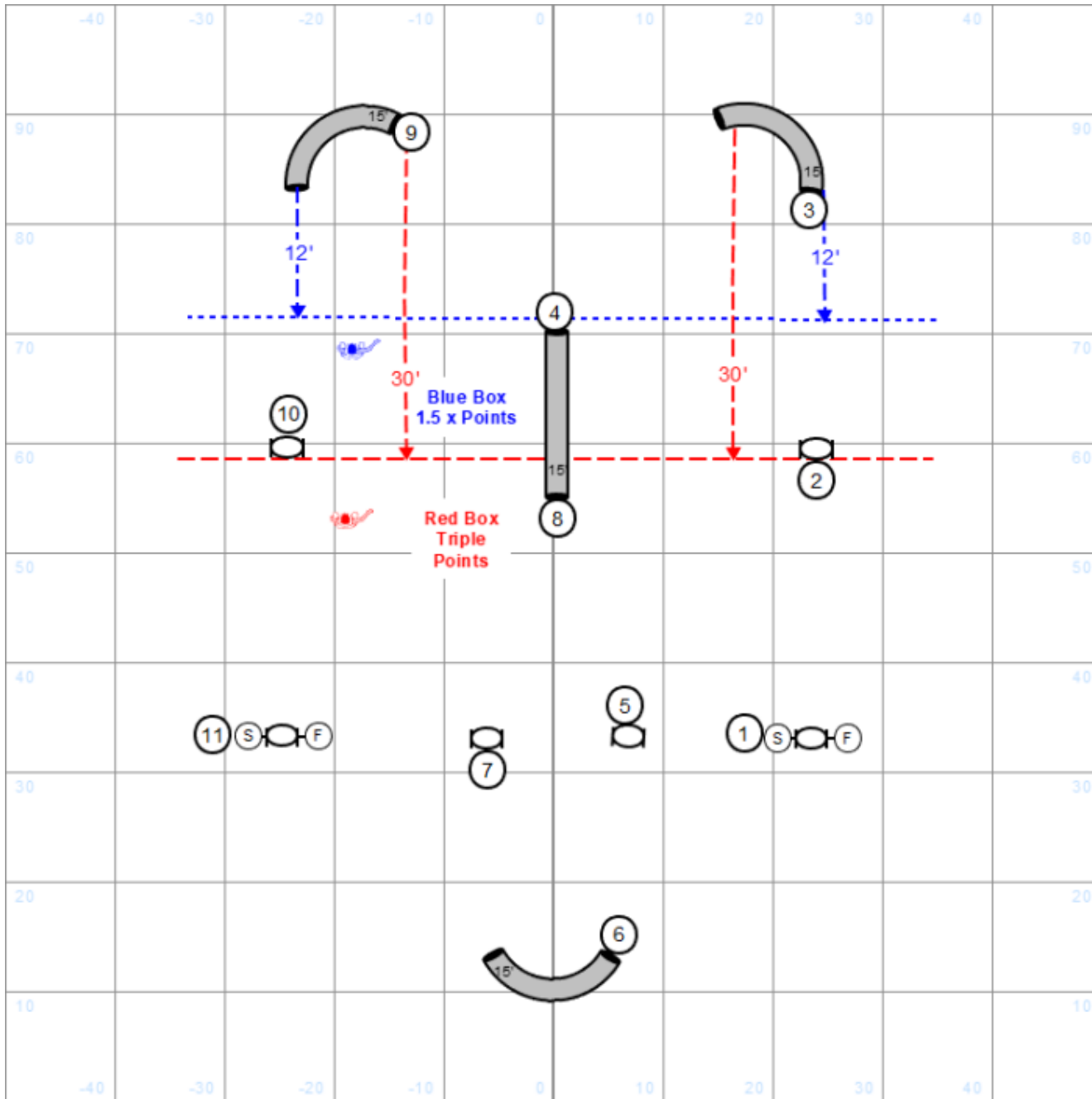
Slingshot 3
 May 15 2026
Southern Berkshire Agility Dogs
 Stephentown, NY
Mid-Course Challenge

Handler must stay behind Blue or Red line while the dog completes the required obstacles to get a multiplier! In order to attain the 3X multiplier the handler must stay behind the Red Line while the dog performs obstacles 2-4 and 8-10 as marked on the map. In order to attain the 1.5X multiplier the handler must stay behind the Blue Line while the dog performs obstacles 3 and 9 as marked on the map. In addition, all obstacles on the course must be performed without any required corrections to qualify with a multiplier. Obstacle corrections allow for a score but in that case the multiplier is voided.

Handlers may choose to run the entire path with their dog for no multiplier.

Start and Finish Obstacles are Bidirectional

Tunnel Bag Sets
 10' Tunnel minimum 3
 15' Tunnel minimum 4
 20' Tunnel minimum 6



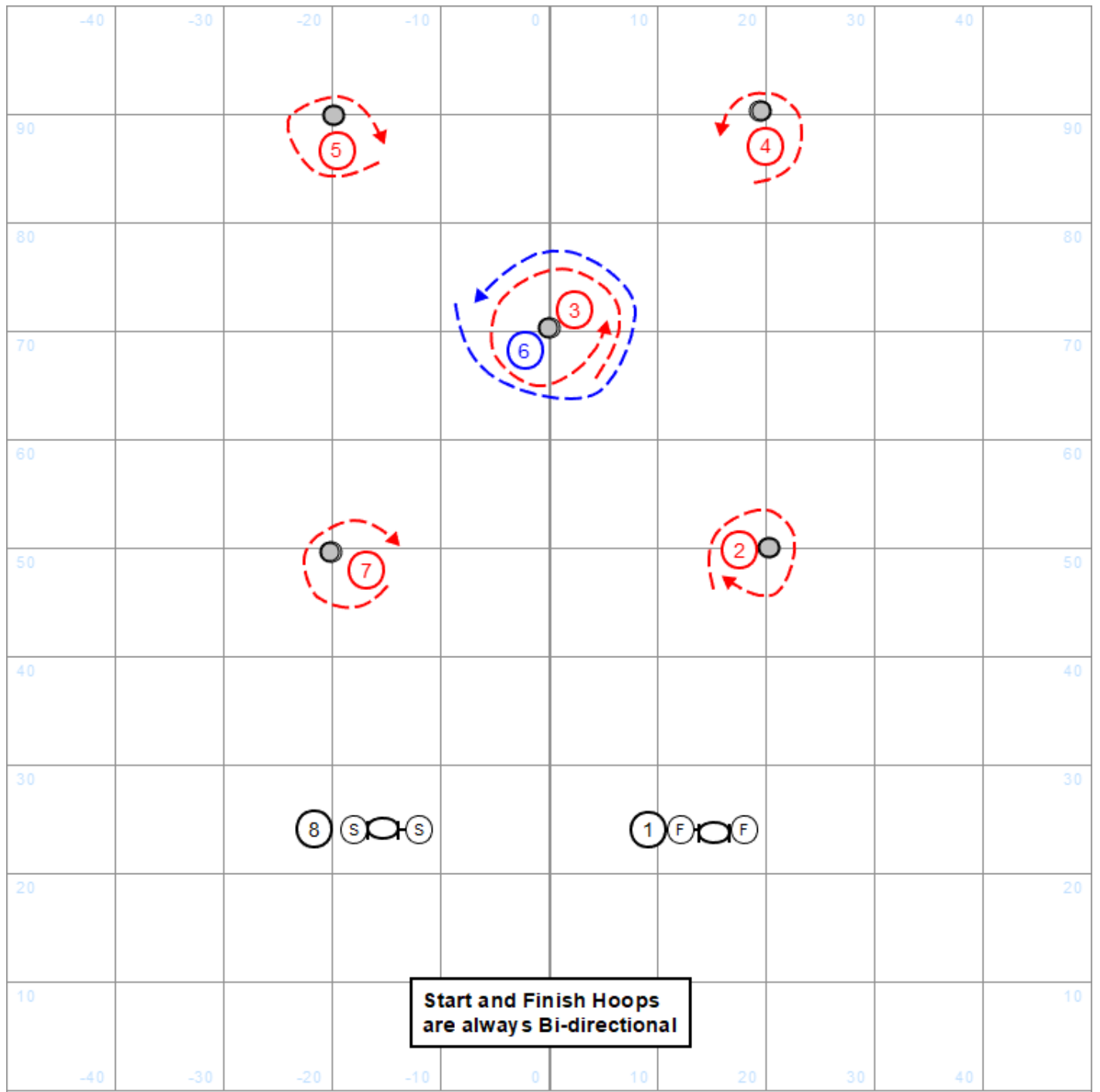
Slingshot 4
 May 15 2026
Southern Berkshire Agility Dogs
 Stephentown, NY
Mid-Course Challenge

Handler must stay behind Blue or Red line while the dog completes the required obstacles to get a multiplier! In order to attain the 3X multiplier the handler must stay behind the Red Line while the dog performs obstacles 2-4 and 8-10 as marked on the map. In order to attain the 1.5X multiplier the handler must stay behind the Blue Line while the dog performs obstacles 3 and 9 as marked on the map. In addition, all obstacles on the course must be performed without any required corrections to qualify with a multiplier. Obstacle corrections allow for a score but in that case the multiplier is voided.

Handlers may choose to run the entire path with their dog for no multiplier.

Start and Finish Obstacles are Bidirectional

Tunnel Bag Sets
 10' Tunnel minimum 3
 15' Tunnel minimum 4
 20' Tunnel minimum 6



**Start and Finish Hoops
are always Bi-directional**

Pole Position Solo

May 15 2026

Southern Berkshire Agility Dogs

Stephentown, NY General Reminders: Start and finish hoops are Bi-Directional. The number is on the side of the barrel the dog should approach from. Fix any errors (dog going the wrong way around a barrel or taking an incorrect barrel).