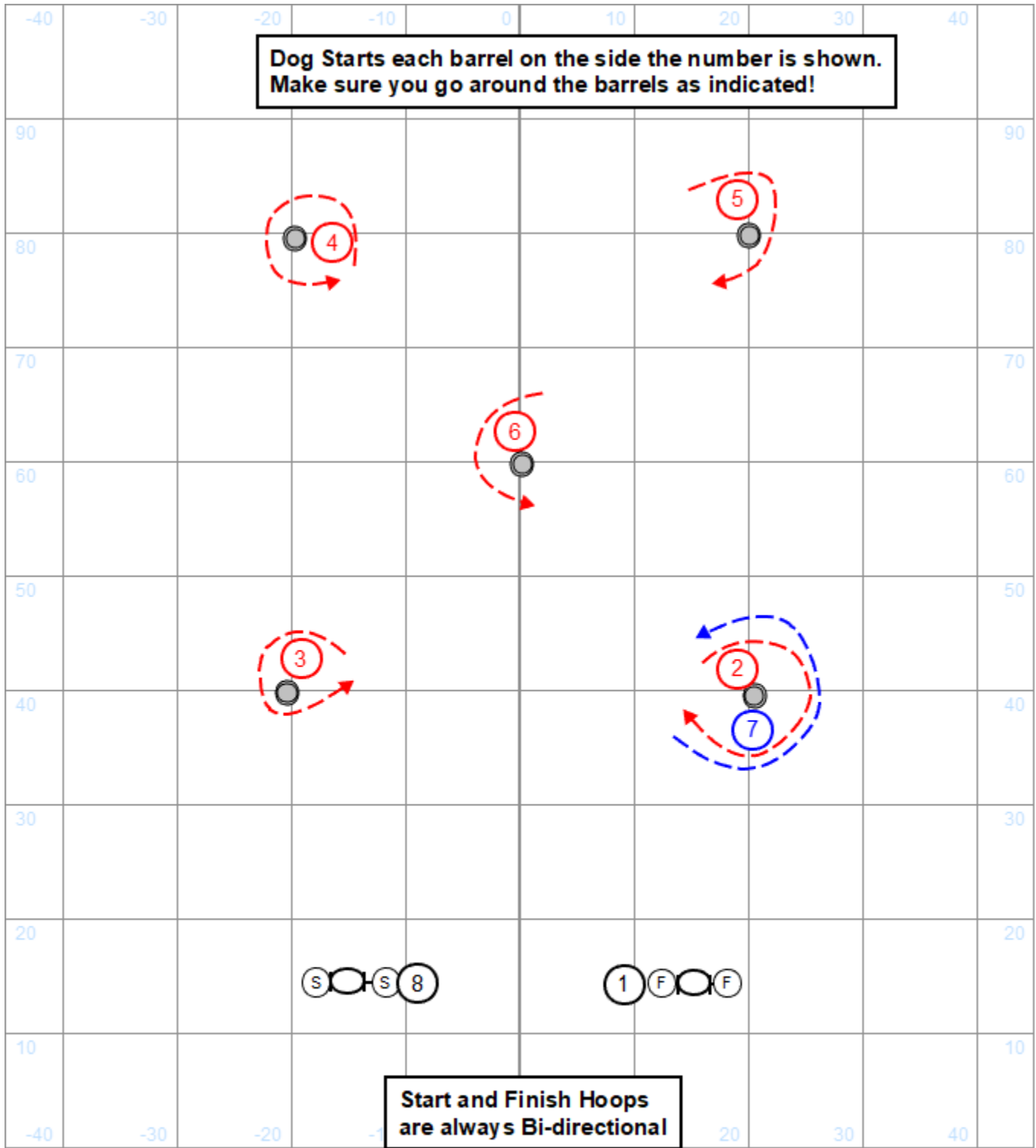


Start and Finish Hoops are always Bi-directional

Pole Position Solo Rd 1 & 2
 May 8, 2026
Bo- Gee Agility
 Raymond, NH

General Reminders: Start and finish hoops are Bi-Directional. The number is on the side of the barrel the dog should approach from. Fix any errors (dog going the wrong way around a barrel or taking an incorrect barrel).



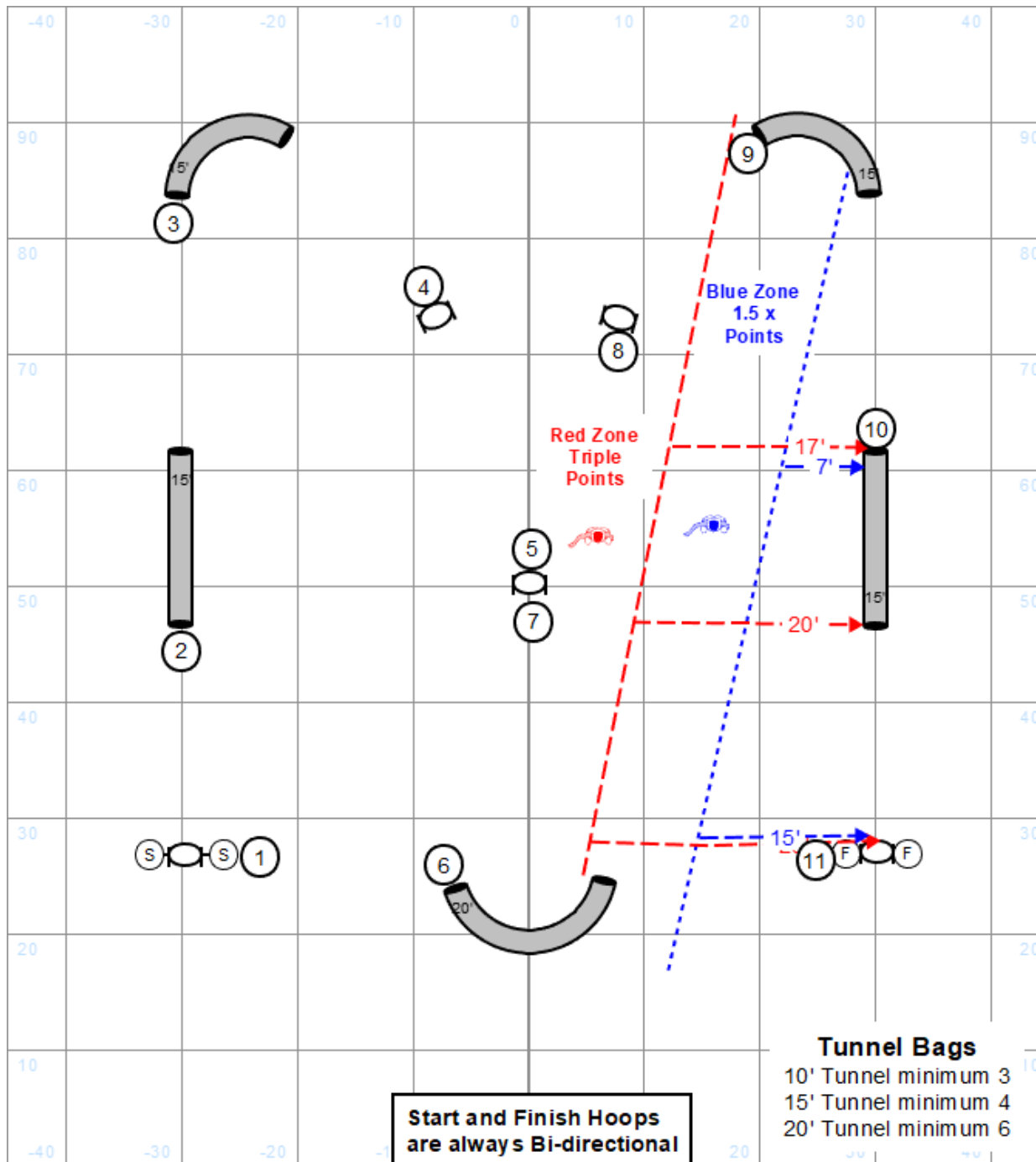
Pole Position Solo Rd 3

May 8, 2026

Bo- Gee Agility

Raymond, NH

General Reminders: Start and finish hoops are Bi-Directional. The number is on the side of the barrel the dog should approach from. Fix any errors (dog going the wrong way around a barrel or taking an incorrect barrel).



Slingshot Rd 1 & 2

May 8, 2026

Bo- Gee Agility

Raymond, NH

Finish Challenge

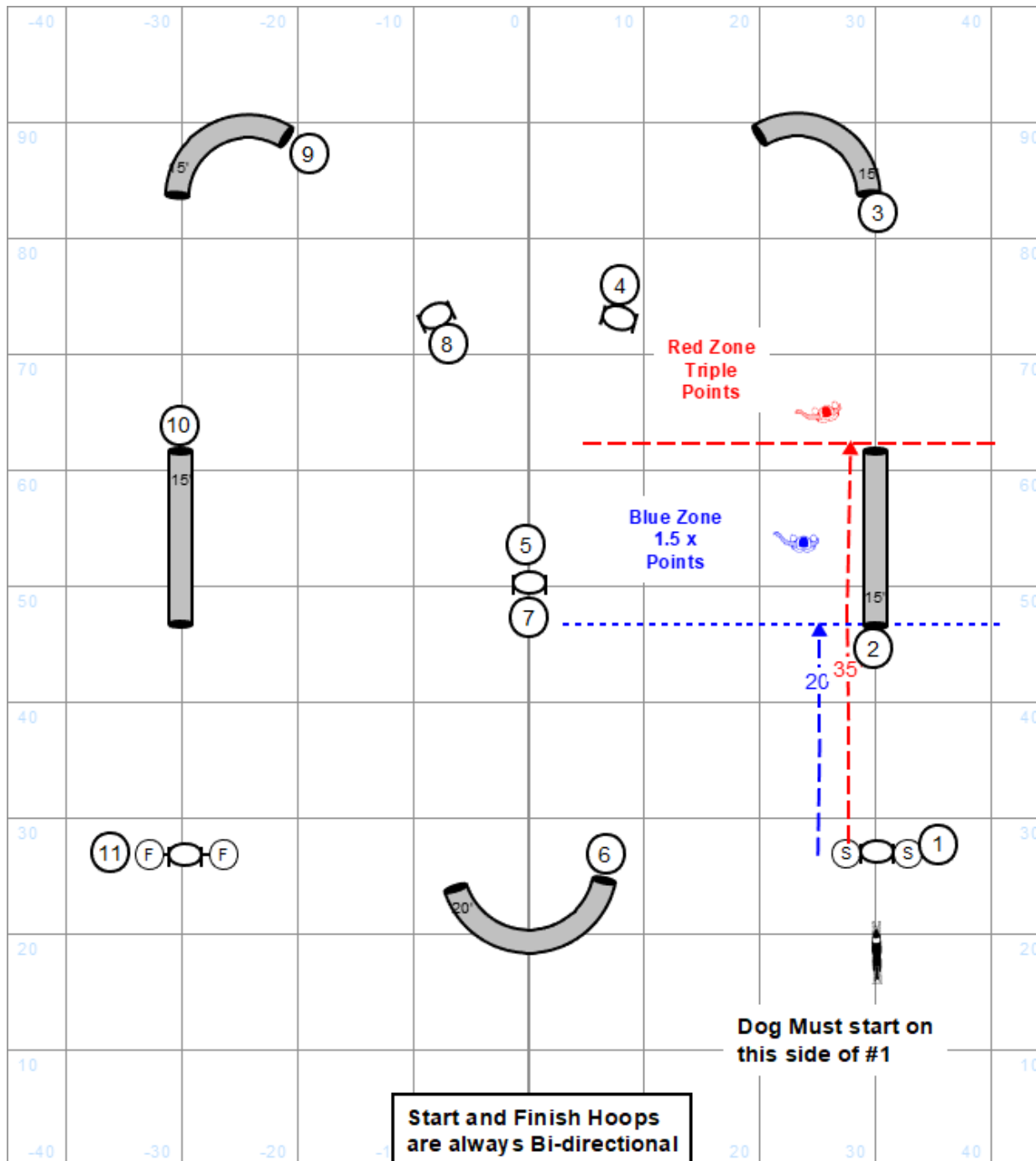
In order to attain the 3X multiplier the handler must stay behind the Red Line while the dog performs obstacles 9-11 In order to attain the 1.5X multiplier the handler must stay behind the Blue Line while the dog performs obstacles 9-11 In addition, all obstacles on the course must be performed without any required corrections to qualify with a multiplier. Obstacle corrections allow for a score but in that case the multiplier is voided.

Handlers may choose to run the entire path with their dog for no multiplier.

Tunnel Bags

10' Tunnel minimum 3
 15' Tunnel minimum 4
 20' Tunnel minimum 6

Start and Finish Hoops are always Bi-directional



Slingshot Rd 3 & 4

May 8, 2026

Bo- Gee Agility

Raymond, NH

Lead Out Challenge

Handler must be across the Blue or Red line before the dog starts the course. In order to attain the 3X multiplier the handler must lead out beyond the Red Line while the dog performs obstacles 1-2. In order to attain the 1.5X multiplier the handler must lead out beyond the Blue Line while the dog performs obstacles 1

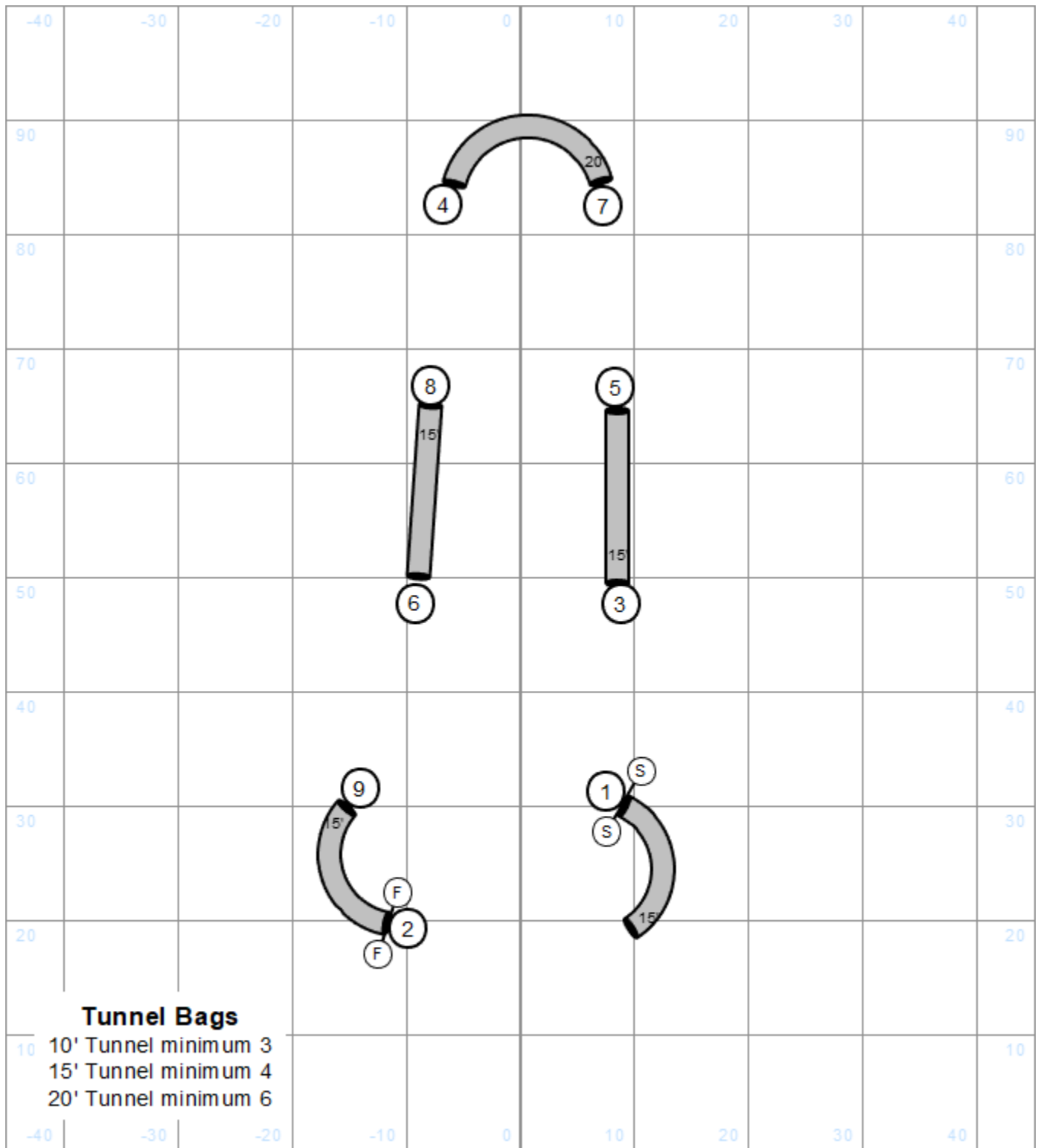
In addition,

all obstacles on the course must be performed without any required corrections to qualify with a multiplier. Obstacle corrections allow for a score but in that case the multiplier is voided.

Handlers may choose to run the entire path with their dog for no multiplier.

Tunnel Bags

- 10' Tunnel minimum 3
- 15' Tunnel minimum 4
- 20' Tunnel minimum 6



Pitstop Rd 1 & 2
 May 8, 2026
Bo- Gee Agility
 Raymond, NH

