

Pole Position Solo Rd 1

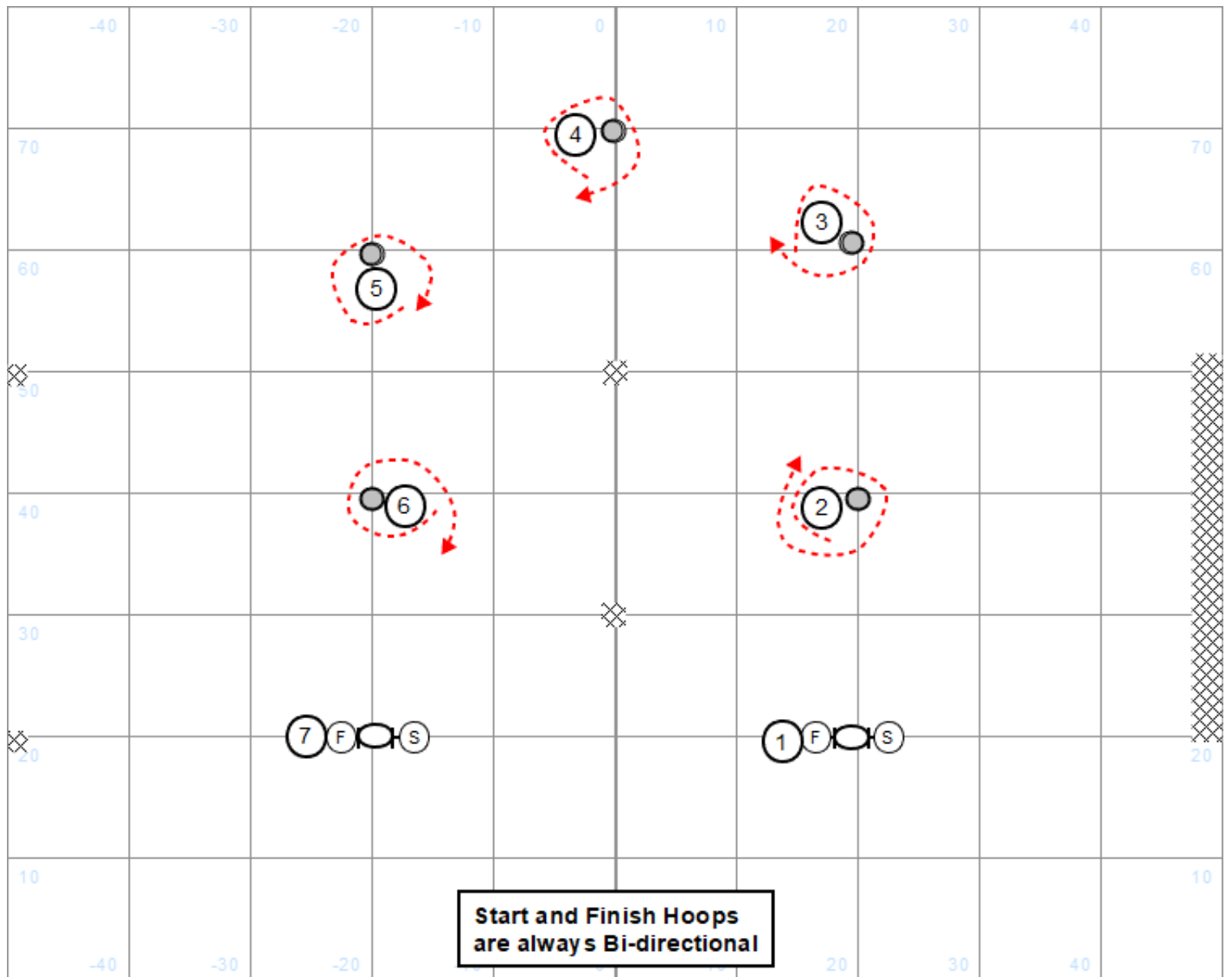
April 12, 2026

Agility and Rally for Fun

Gahanna, Ohio

Pole Position Solo Course Set D Course 1

General Reminders: Start and finish hoops are Bi-Directional. The number is on the side of the barrel the dog should approach from. Fix any errors (dog going the wrong way around a barrel or taking an incorrect barrel).



Pole Position Solo Rd 2

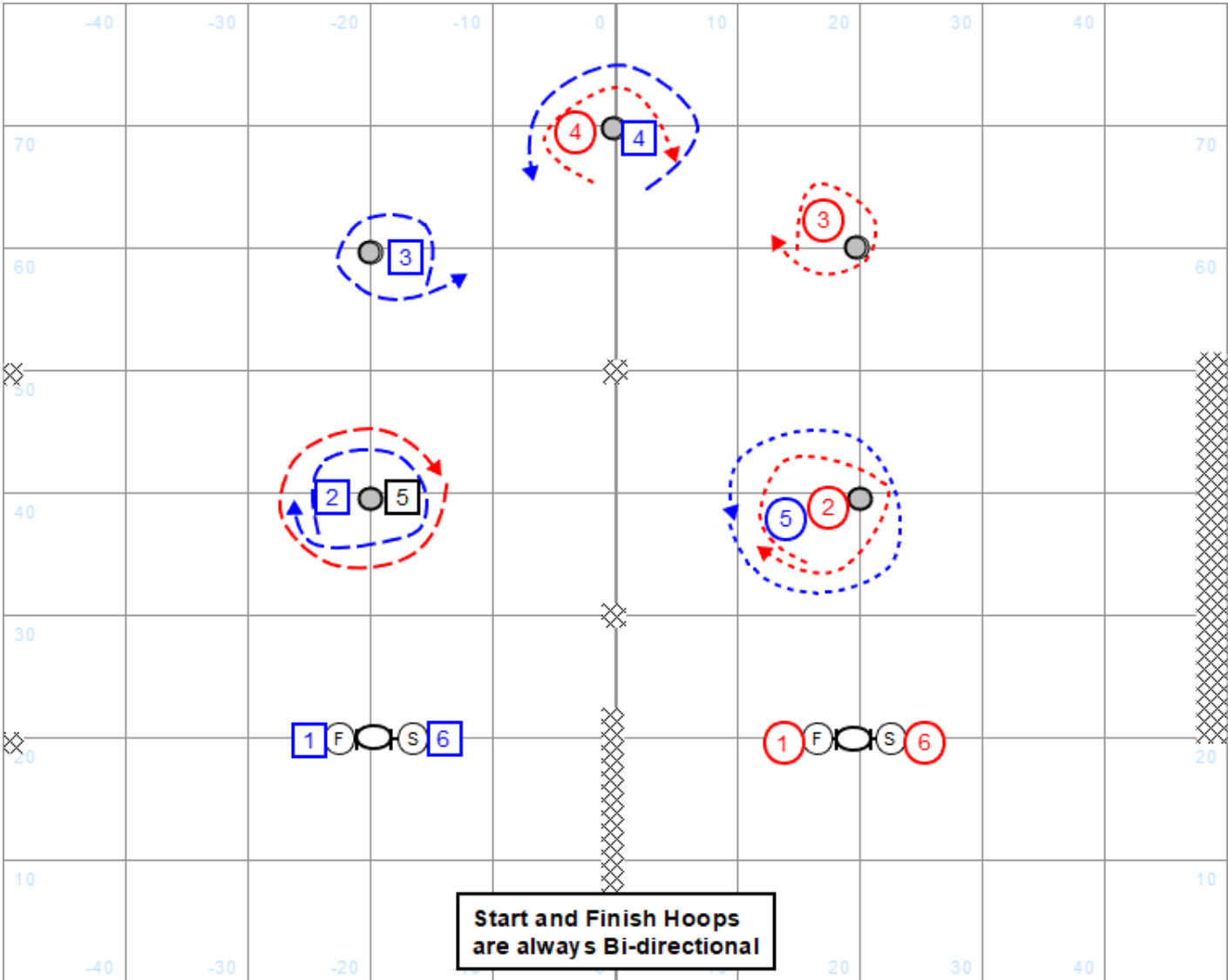
April 12, 2026

Agility and Rally for Fun

Gahanna, Ohio

Pole Position Solo Course Set D Course 1

General Reminders: Start and finish hoops are Bi-Directional. The number is on the side of the barrel the dog should approach from. Fix any errors (dog going the wrong way around a barrel or taking an incorrect barrel).

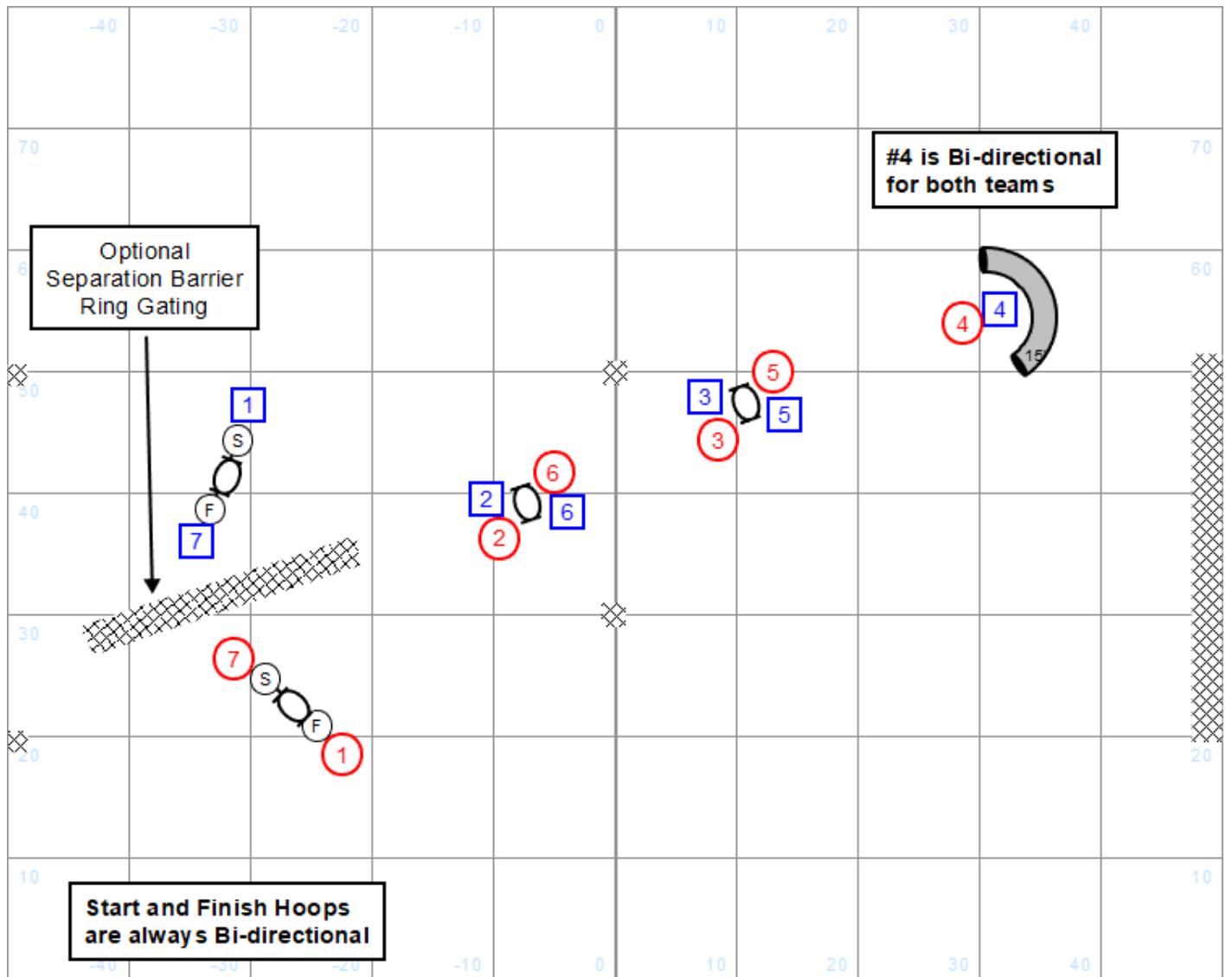


**Start and Finish Hoops
are always Bi-directional**

Pole Position Team
 April 12, 2026
Agility and Rally for Fun
 Gahanna, Ohio

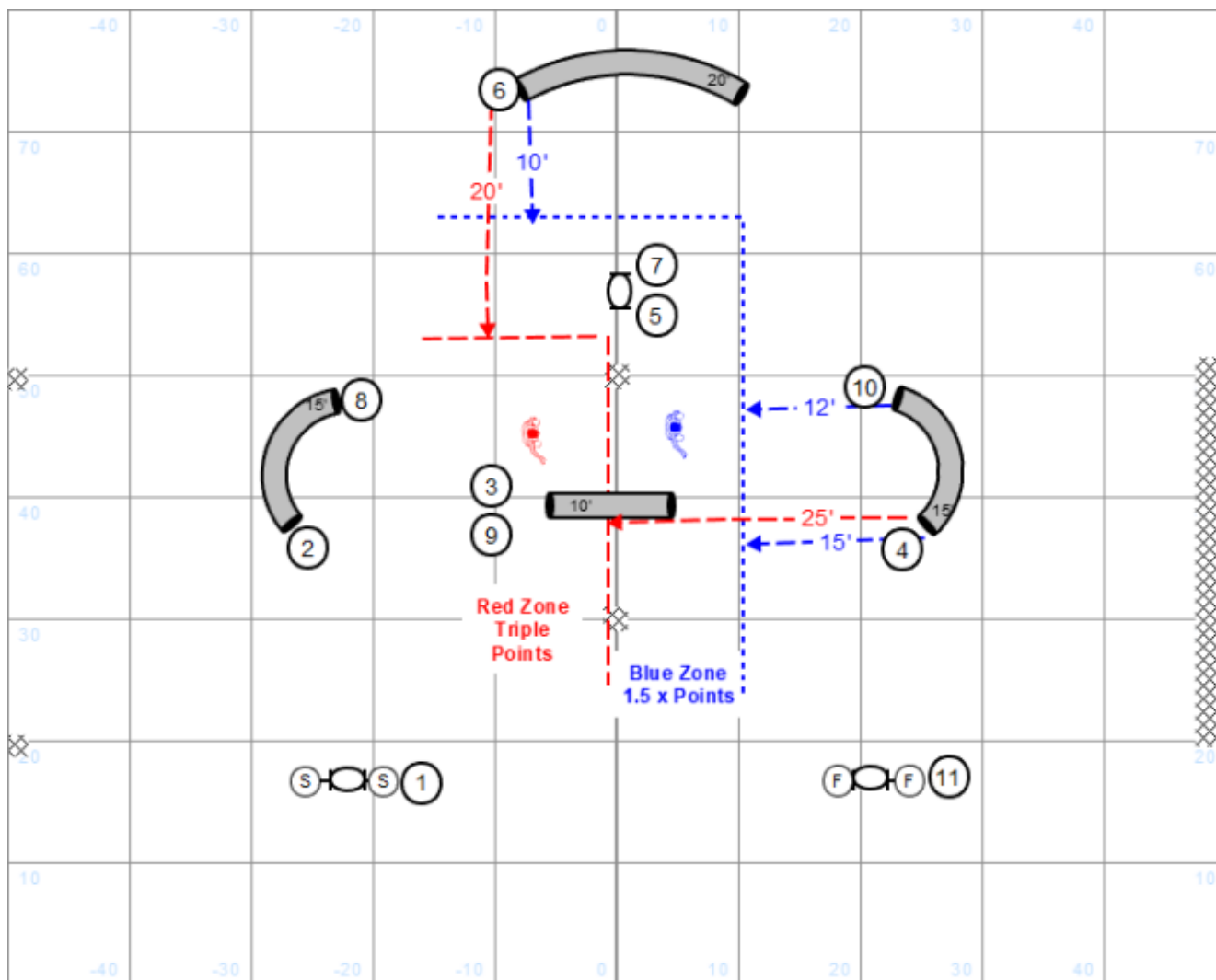
Pole Position Solo Course Set D Course 1

General Reminders: Start and finish hoops are Bi-Directional. The number is on the side of the barrel the dog should approach from. Fix any errors (dog going the wrong way around a barrel or taking an incorrect barrel).



Hairpin Team
 April 12, 2026
Agility and Rally for Fun
 Gahanna, Ohio

General Reminders: Start and finish hoops are Bi-Directional. One team will do square numbers and the other team the circle. Dog will start and finish on the same obstacle. Only one team may be on the course at a time. Second team may not start until the dog and handler from team one are beyond their finish hoop.



Slingshot 1
 April 12, 2026
Agility and Rally for Fun
 Gahanna, Ohio

Mid-Course Challenge

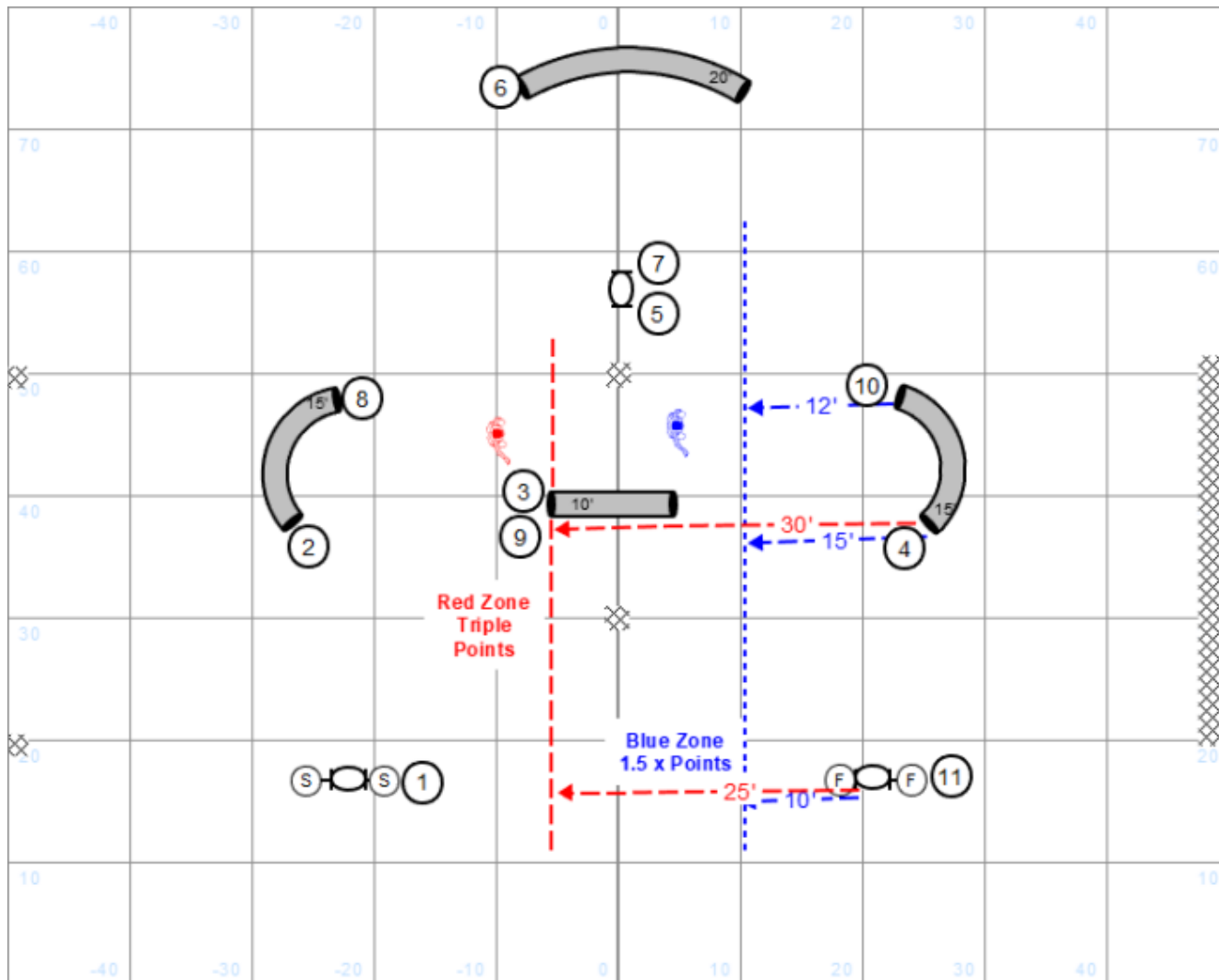
Handler must stay behind Blue or Red line while the dog completes the required obstacles to get a multiplier! In order to attain the 3X multiplier the handler must stay behind the Red Line while the dog performs obstacles 4-7 as marked on the map. In order to attain the 1.5X multiplier the handler must stay behind the Blue Line while the dog performs obstacles 4 and 6 as marked on the map.

In addition, all obstacles on the course must be performed without any required corrections to qualify with a multiplier. Obstacle corrections allow for a score but in that case the multiplier is voided.

Handlers may choose to run the entire path with their dog for no multiplier.

Tunnel Bags

- 10' Tunnel minimum 3
- 15' Tunnel minimum 4
- 20' Tunnel minimum 6



Slingshot 2
 April 12, 2026
Agility and Rally for Fun
 Gahanna, Ohio

Finish Challenge

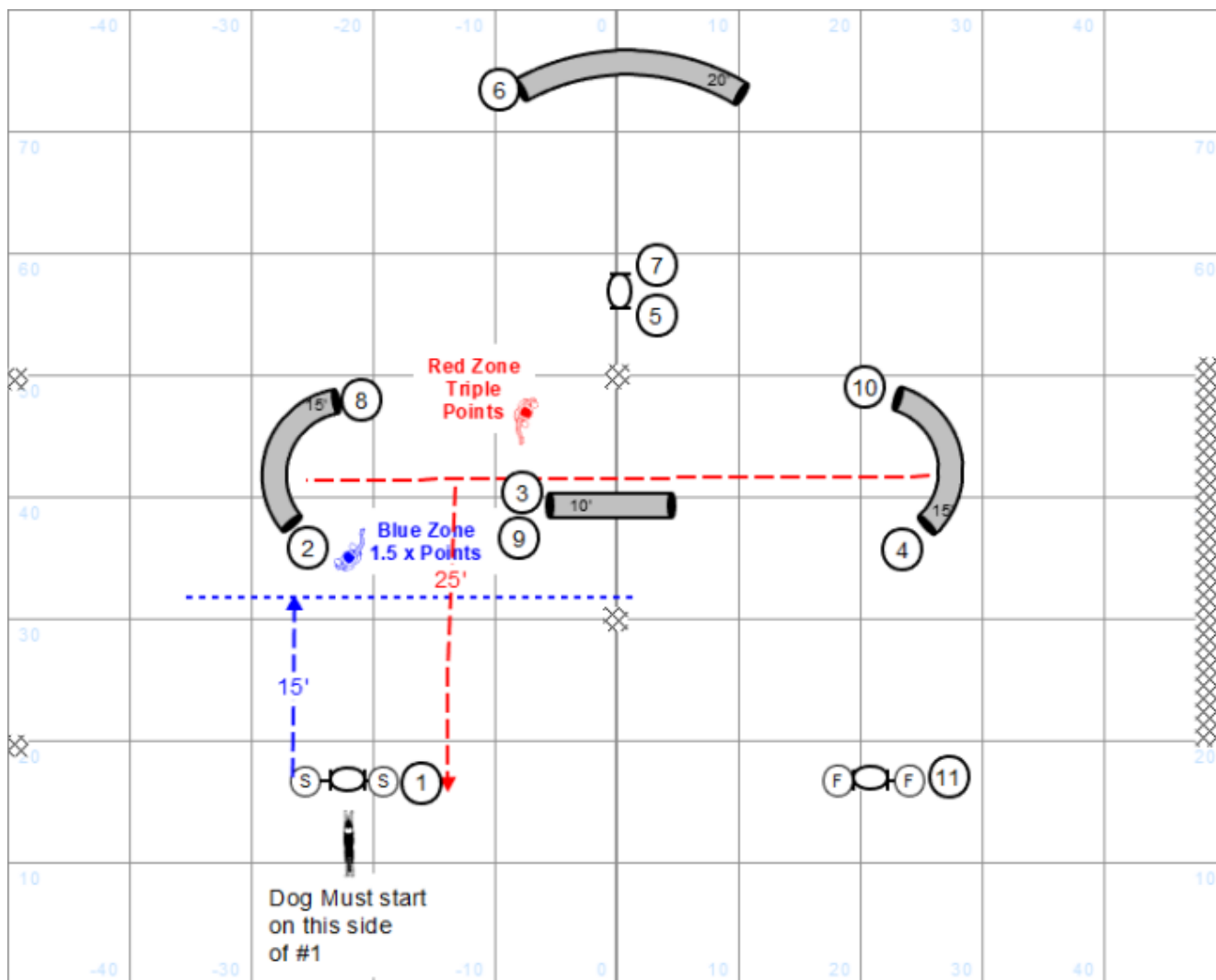
Handler must stay behind Blue or Red line while the dog completes the required obstacles to get a multiplier! In order to attain the 3X multiplier the handler must stay behind the Red Line while the dog performs obstacles 9-11 as marked on the map. In order to attain the 1.5X multiplier the handler must stay behind the Blue Line while the dog performs obstacles 10-11 as marked on the map.

In addition, all obstacles on the course must be performed without any required corrections to qualify with a multiplier. Obstacle corrections allow for a score but in that case the multiplier is voided.

Handlers may choose to run the entire path with their dog for no multiplier.

Tunnel Bags

- 10' Tunnel minimum 3
- 15' Tunnel minimum 4
- 20' Tunnel minimum 6



Slingshot 3

April 12, 2026

Agility and Rally for Fun

Gahanna, Ohio

Lead Out Challenge

Handler must stay behind Blue or Red line while the dog completes the required obstacles to get a multiplier! In order to attain the 3X multiplier the handler must lead out beyond and remain beyond the Red Line before the dog performs obstacles 1-4 as marked on the map. In order to attain the 1.5X multiplier the handler must lead out beyond the Blue Line before the dog performs obstacle #1 as marked on the map.

In addition, all obstacles on the course must be performed without any required corrections to qualify with a multiplier. Obstacle corrections allow for a score but in that case the multiplier is voided.

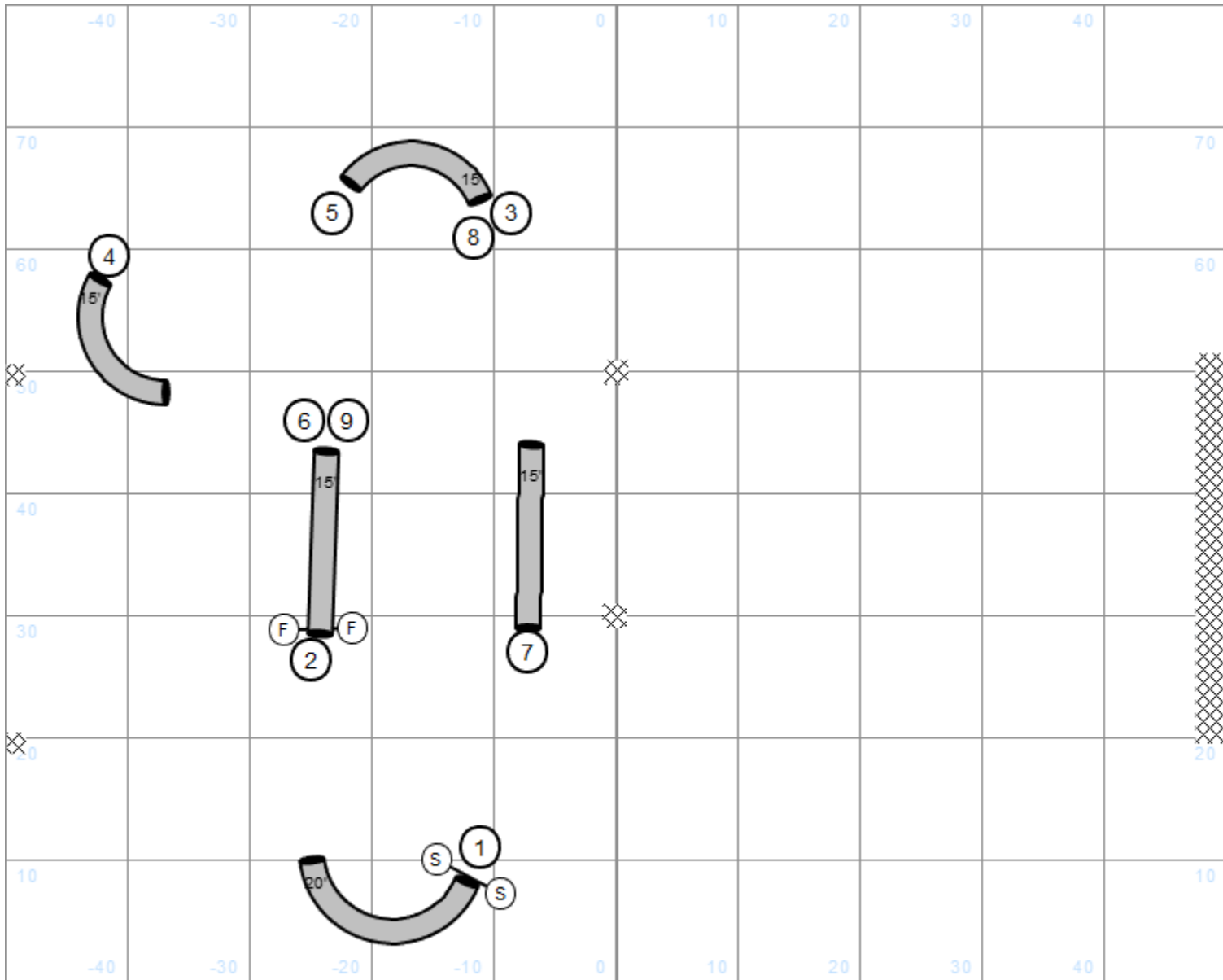
Handlers may choose to run the entire path with their dog for no multiplier.

Tunnel Bags

10' Tunnel minimum 3

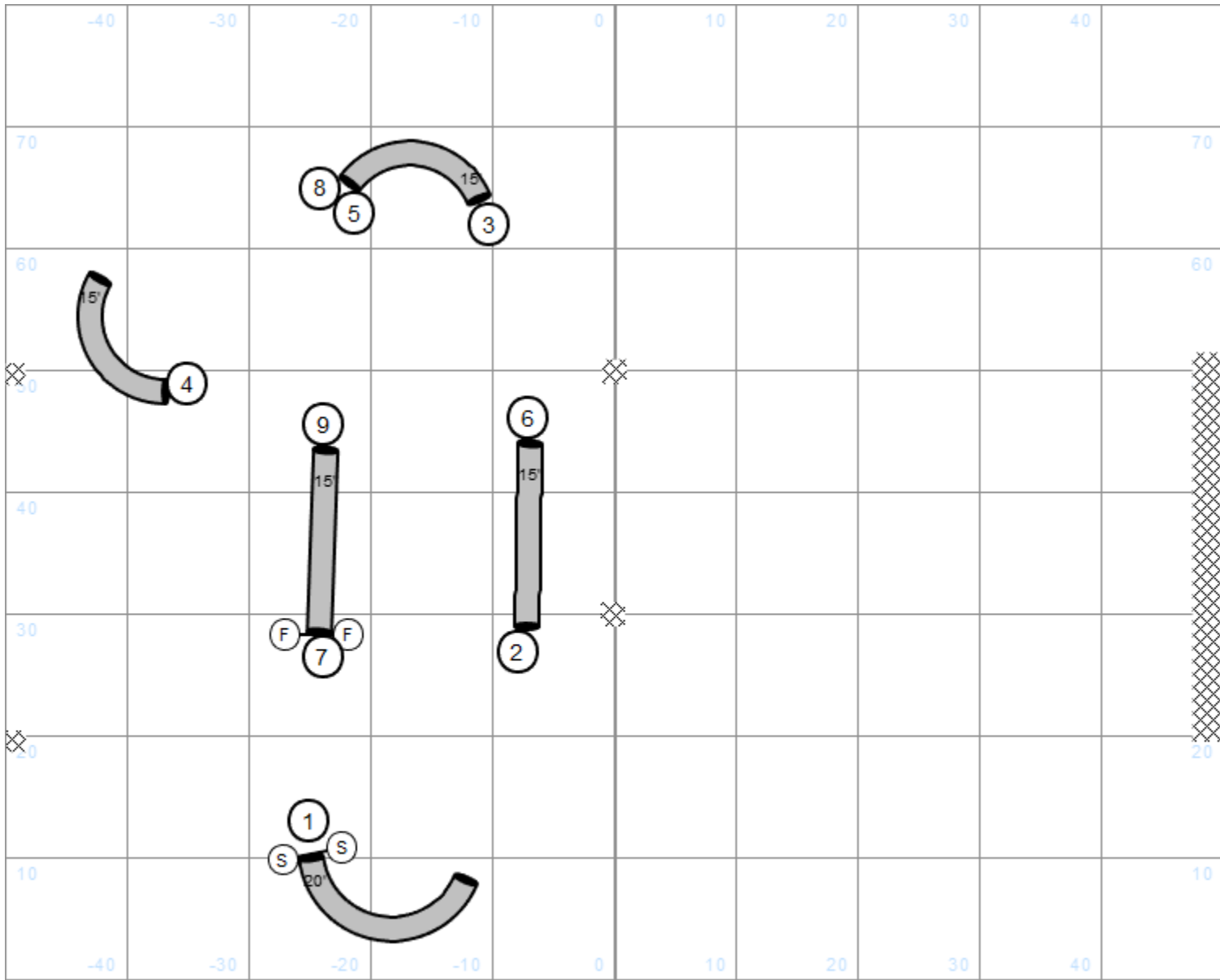
15' Tunnel minimum 4

20' Tunnel minimum 6



Pitstop 1
 April 12, 2026
Agility and Rally for Fun
 Gahanna, Ohio

Tunnel Bags
 10' Tunnel minimum 3
 15' Tunnel minimum 4
 20' Tunnel minimum 6



Pitstop 2
 April 12, 2026
Agility and Rally for Fun
 Gahanna, Ohio

Tunnel Bags
 10' Tunnel minimum 3
 15' Tunnel minimum 4
 20' Tunnel minimum 6