

Slingshot 1 & 2

April 10, 2026

Skyline Agility Club

Middletown, NY

Hybrid Challenge

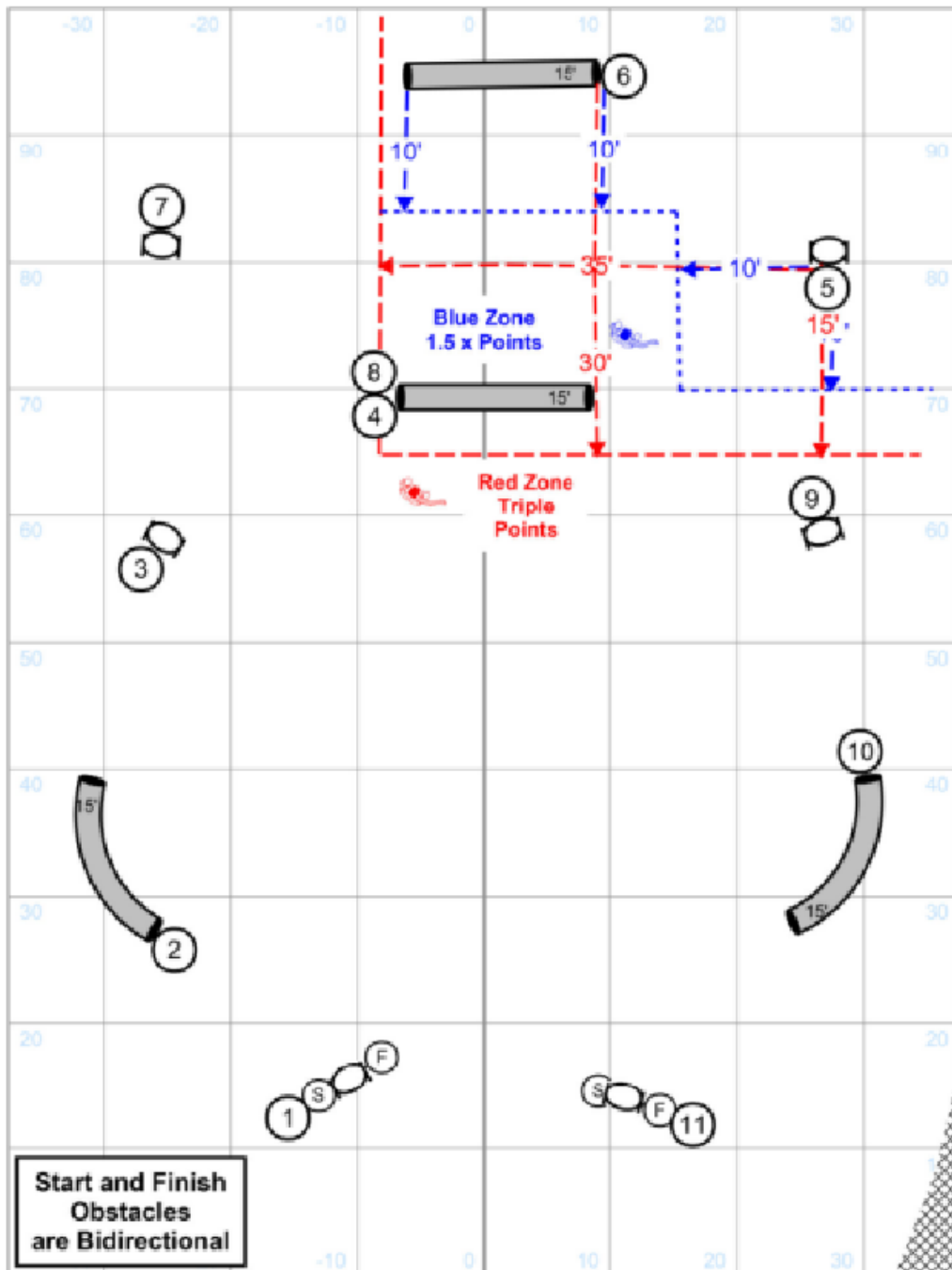
Handler must lead out beyond and stay behind Blue or Red line while the dog completes the required obstacles to get a multiplier! In order to attain the 3X multiplier the handler must Lead out beyond the Red Line for 1-2 and stay behind the Red Line while the dog performs obstacles 10-11 as marked on the map. In order to attain the 1.5X multiplier Lead out beyond the Blue Line for 1 and stay behind the Blue Line while the dog performs obstacles 11 as marked on the map. In addition, all obstacles on the course must be performed without any required corrections to qualify with a multiplier. Obstacle corrections allow for a score but in that case the multiplier is voided.

Handlers may choose to run the entire path with their dog for no multiplier.

Tunnel Bags Sets

- 10' Tunnel minimum 3
- 15' Tunnel minimum 4
- 20' Tunnel minimum 6





Start and Finish
Obstacles
are Bidirectional

Slingshot 3 & 4

April 10, 2026

Skyline Agility Club

Middletown, NY

Mid Course Challenge

Handler must stay behind Blue or Red line while the dog completes the required obstacles to get a multiplier! In order to attain the 3X multiplier the handler must stay behind the Red Line while the dog performs obstacles 4-6 as marked on the map. In order to attain the 1.5X multiplier the handler must stay behind the Blue Line while the dog performs obstacles 5-6 as marked on the map.

In addition, all obstacles on the course must be performed without any required corrections to qualify with a multiplier. Obstacle corrections allow for a score but in that case the multiplier is voided.

Handlers may choose to run the entire path with their dog for no multiplier.

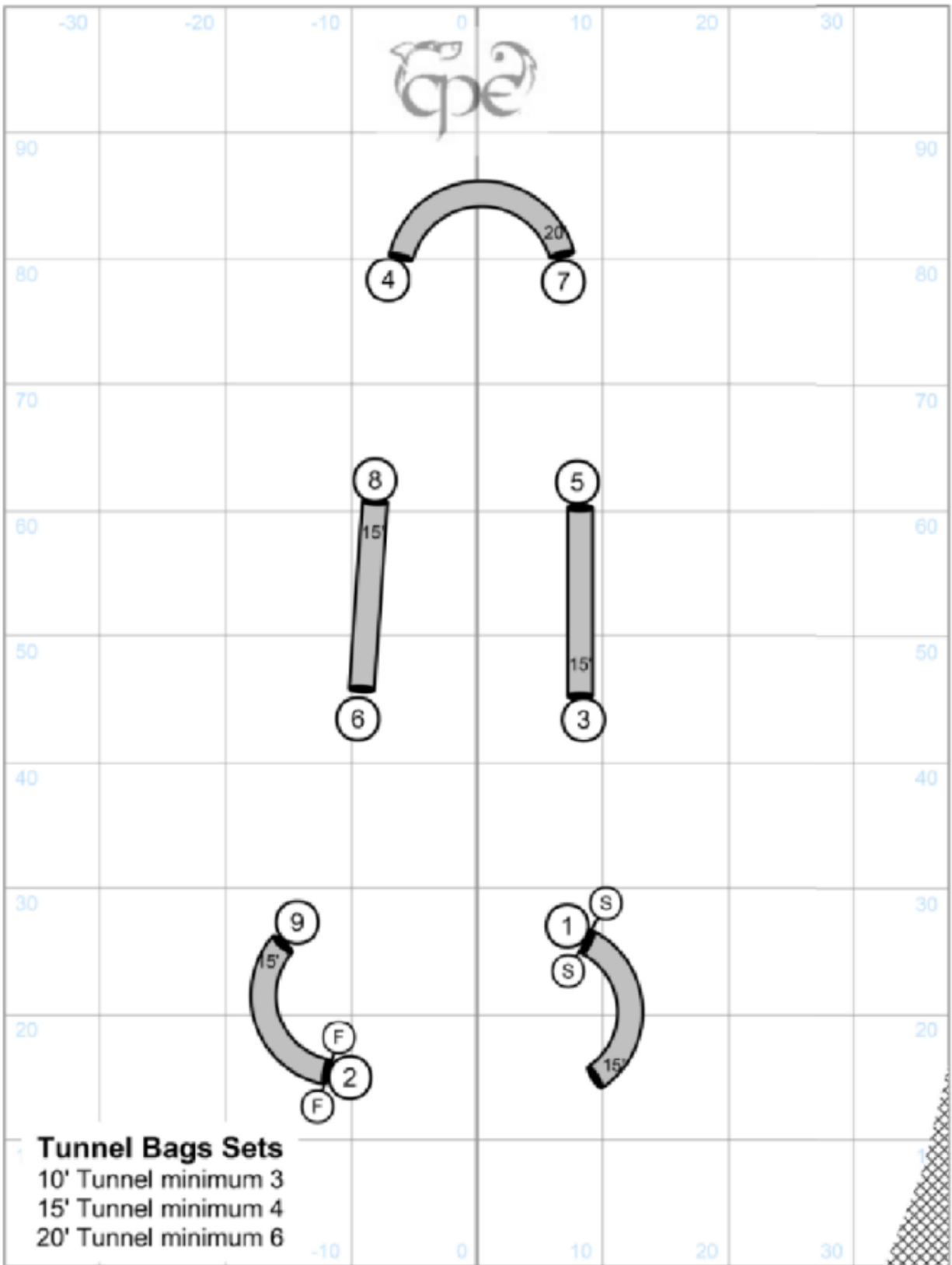
Tunnel Bags Sets

10' Tunnel minimum 3

15' Tunnel minimum 4

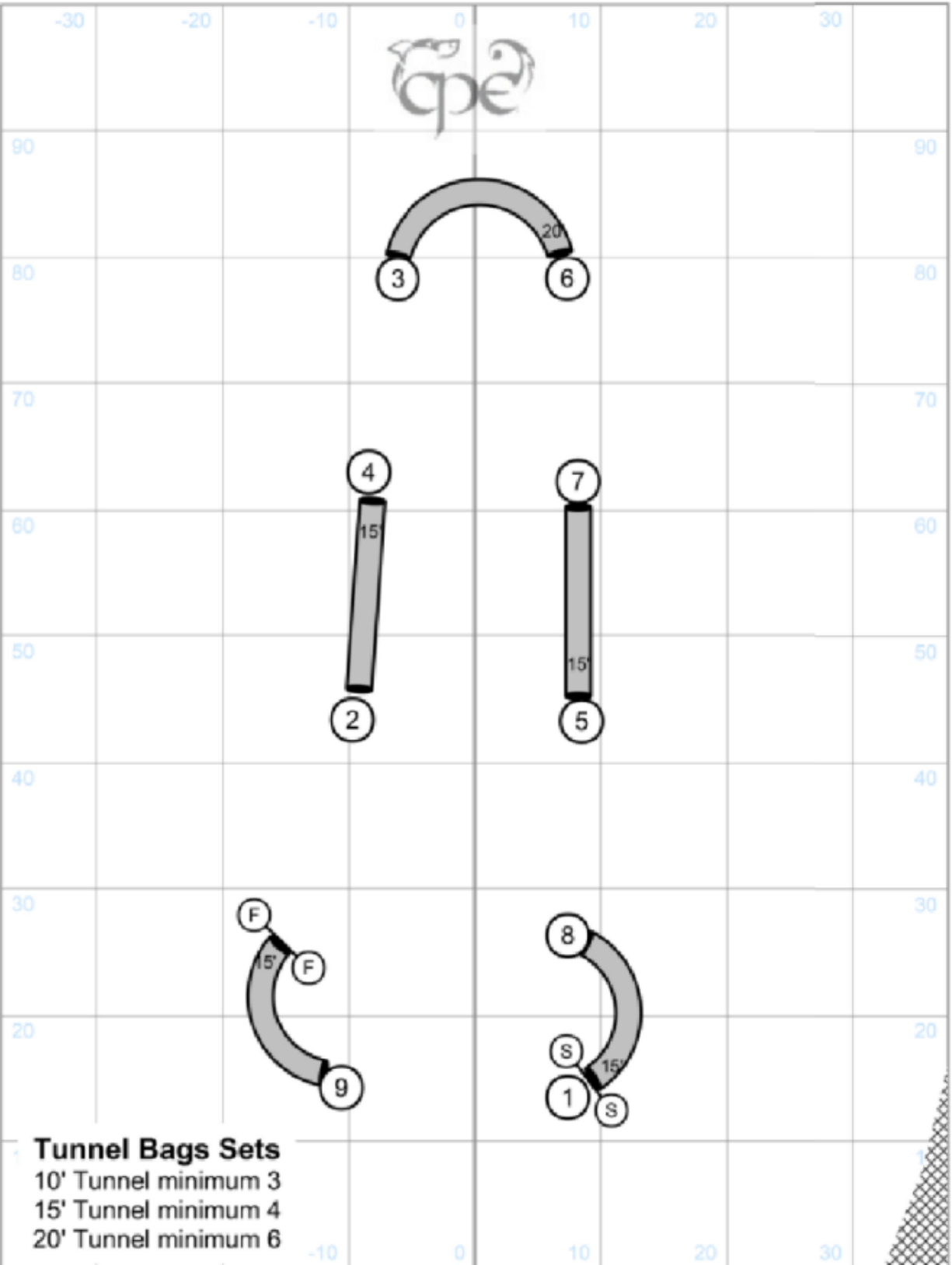
20' Tunnel minimum 6





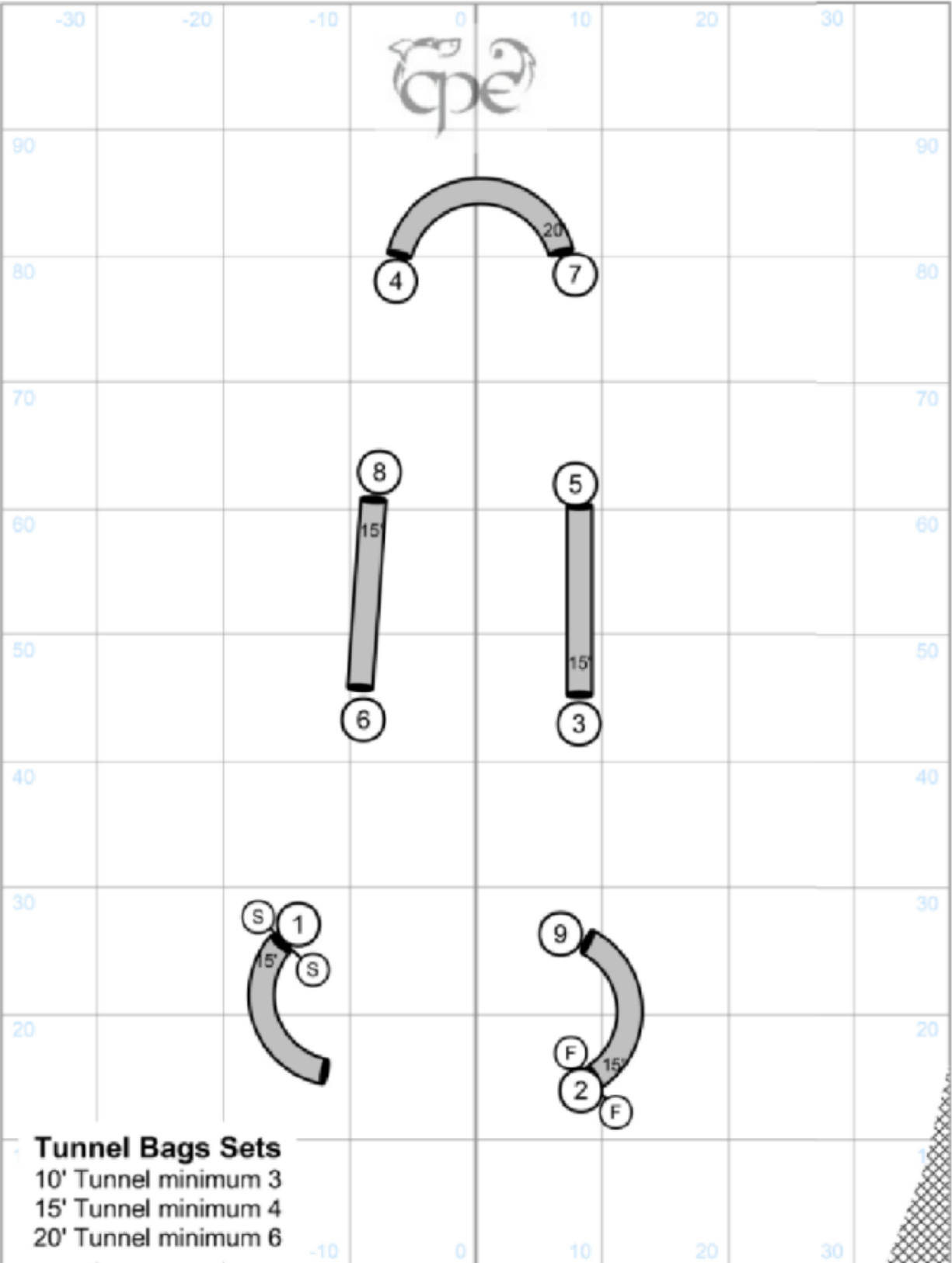
Tunnel Bags Sets
 10' Tunnel minimum 3
 15' Tunnel minimum 4
 20' Tunnel minimum 6

Pitstop 1 & 2
 April 10, 2026
Skyline Agility Club
 Middletown, NY



Tunnel Bags Sets
 10' Tunnel minimum 3
 15' Tunnel minimum 4
 20' Tunnel minimum 6

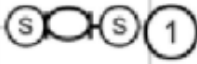
Pitstop 3 & 4
 April 10, 2026
Skyline Agility Club
 Middletown, NY



Tunnel Bags Sets
 10' Tunnel minimum 3
 15' Tunnel minimum 4
 20' Tunnel minimum 6

Pitstop 5 & 6
 April 10, 2026
Skyline Agility Club
 Middletown, NY

Dog Starts each barrel on the side the number is shown.
Make sure you go around the barrels as indicated!



Start and Finish Hoops
are always Bi-directional

Pole Position Solo 1 & 2
April 10, 2026
Skyline Agility Club
Middletown, NY

General Reminders: Start and finish hoops are Bi-Directional. The number is on the side of the barrel the dog should approach from. Fix any errors (dog going the wrong way around a barrel or taking an incorrect barrel).