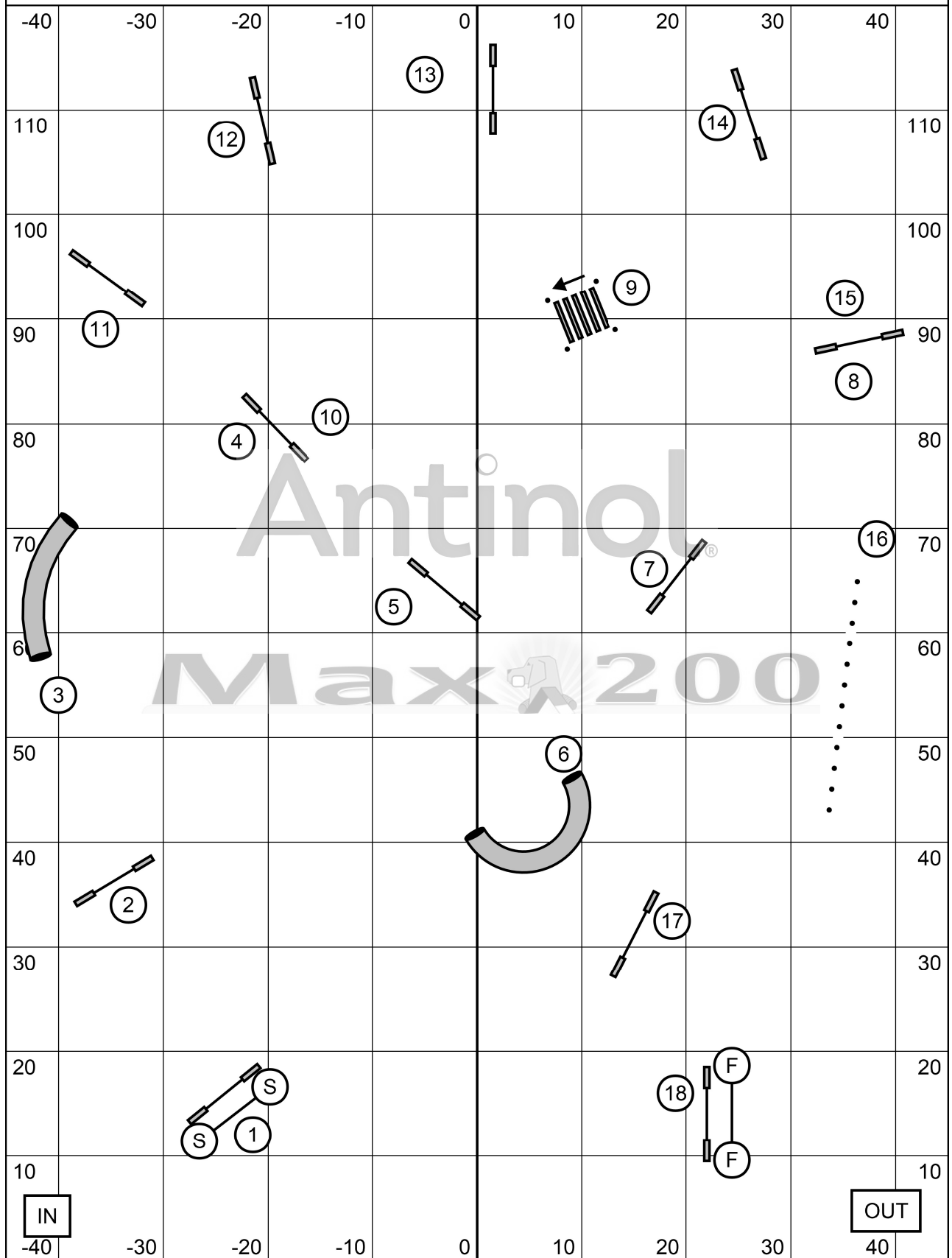


July, 9th 2022

Team Jumpers



Riverside Canine Center  
New England Regional  
USDAA

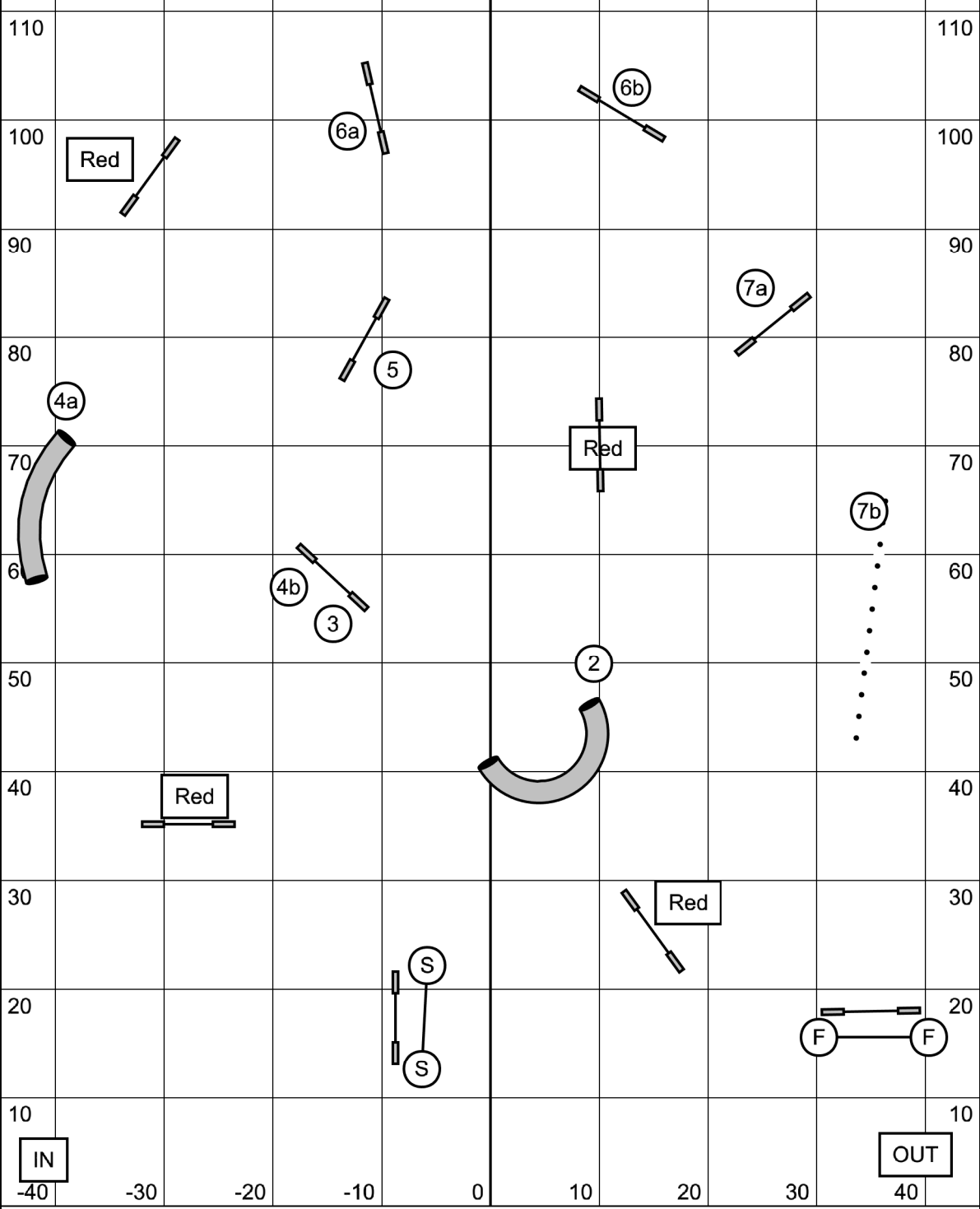
Stephen Routh  
3 dog team sponsored by Max 200  
2 dog team sponsored by Antinol

July, 9th 2022

Master/Pil/Vet Snooker

Champ 10/12 56s 14/16: 54s 20/22/26: 52s  
Perf 8: 58s 12: 56s 14/16/20: 54s  
Vet 4: 60s 8: 58s 12/16: 56s

Closing everything as numbered.

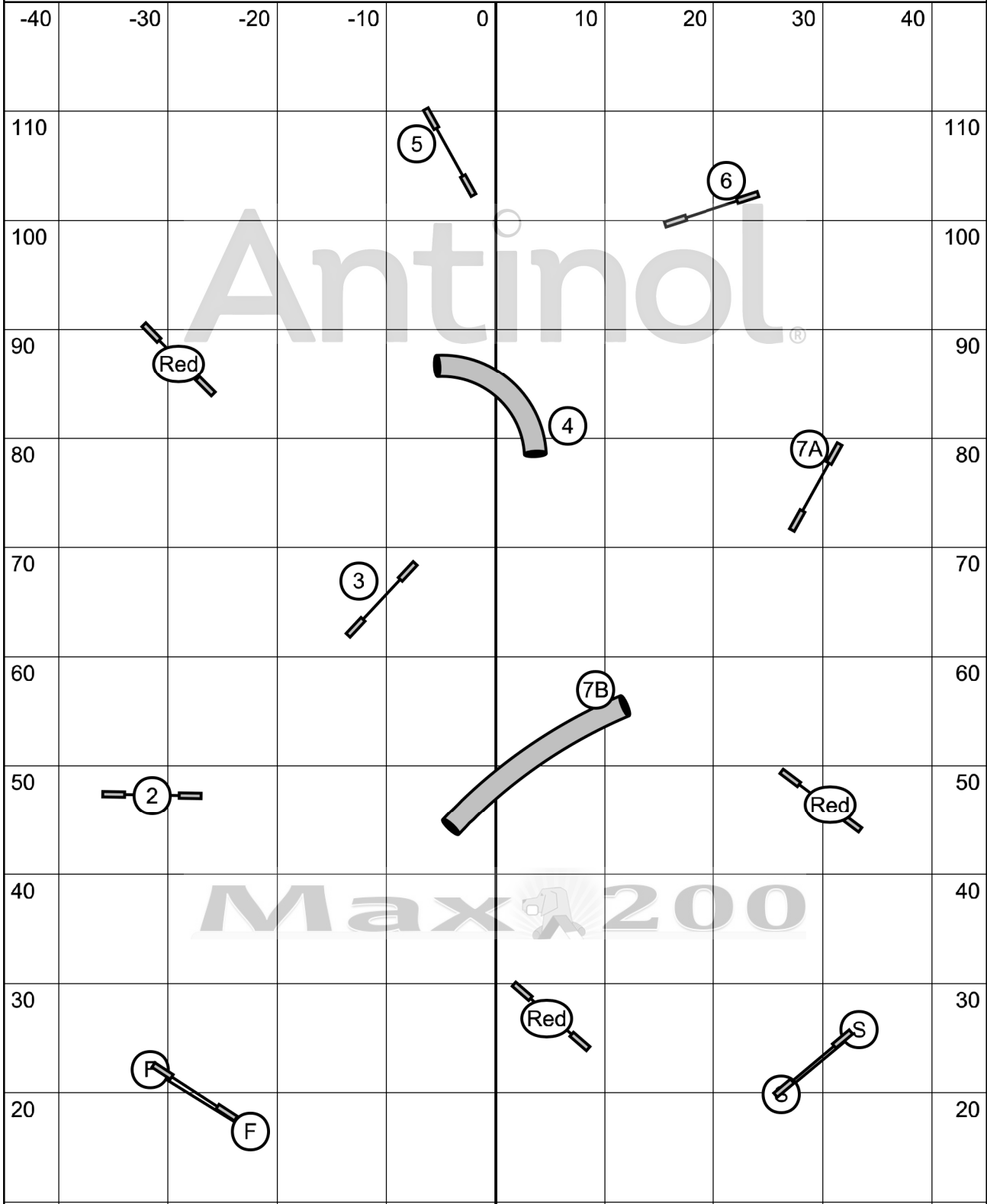


Riverside Canine Center  
New England Regional  
USDAA

Stephen Routh

Opening 3 or 4. All combos any direction any flow.  
Finish jump is live at all times.  
Start jump is bi-directional  
repeating part of a combo before finishing ends scoring

Team Snooker  
 Riverside Canine Center -- New England Regional -- July 9, 2021 -- Mike Murphy



Team Weighting  
 Factor = 1.50

In opening, repeated obstacles within a  
 combo must be corrected for zero points

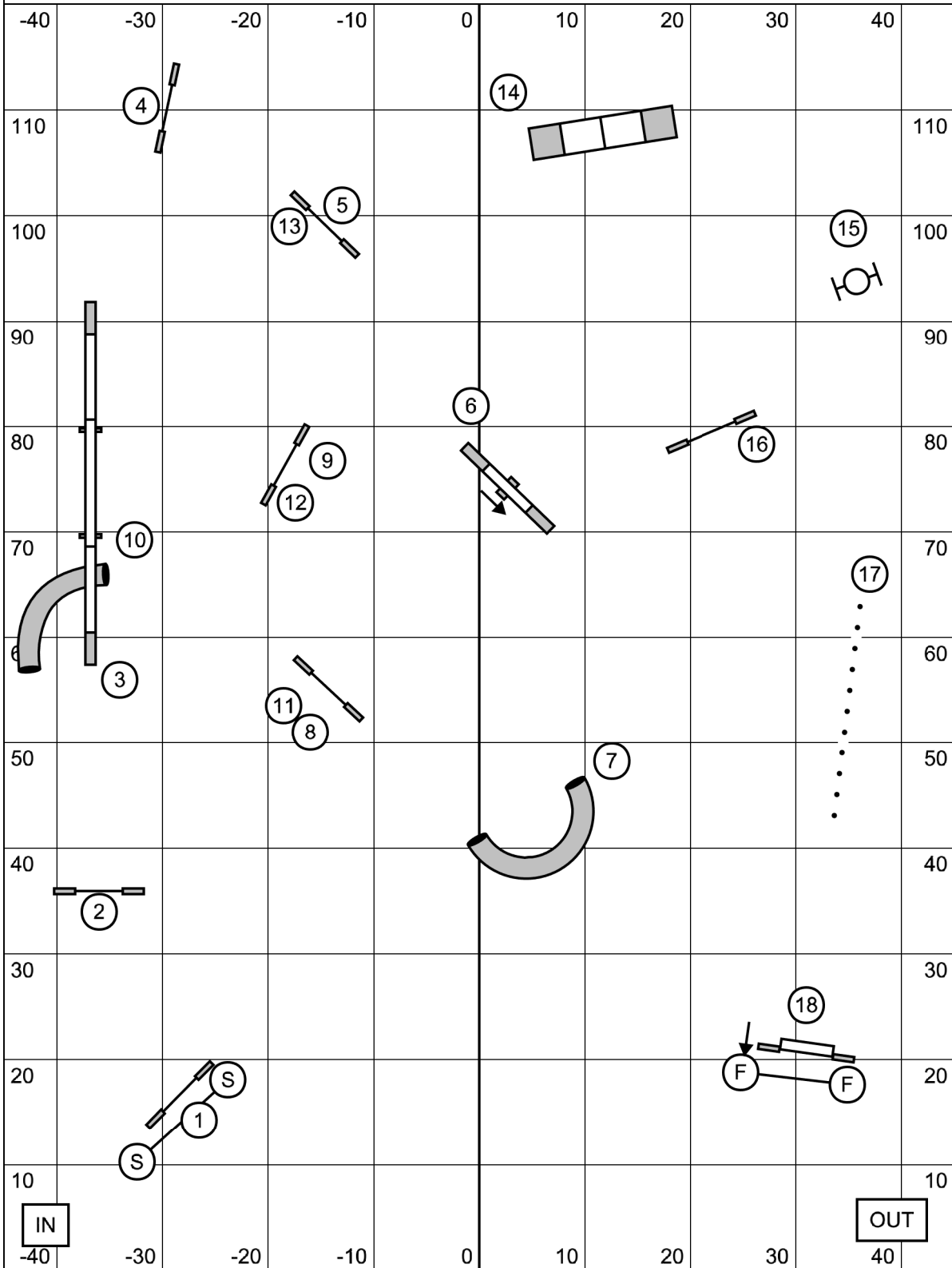
Champ: 20/22/24 & P14/16/20: 46 sec  
 14/16 & P12: 51 sec, 10/12 & P8: 56 sec

IN/OUT

All obstacles bi-directional in the opening  
 and #2 bi-directional in the closing

July, 9th 2022

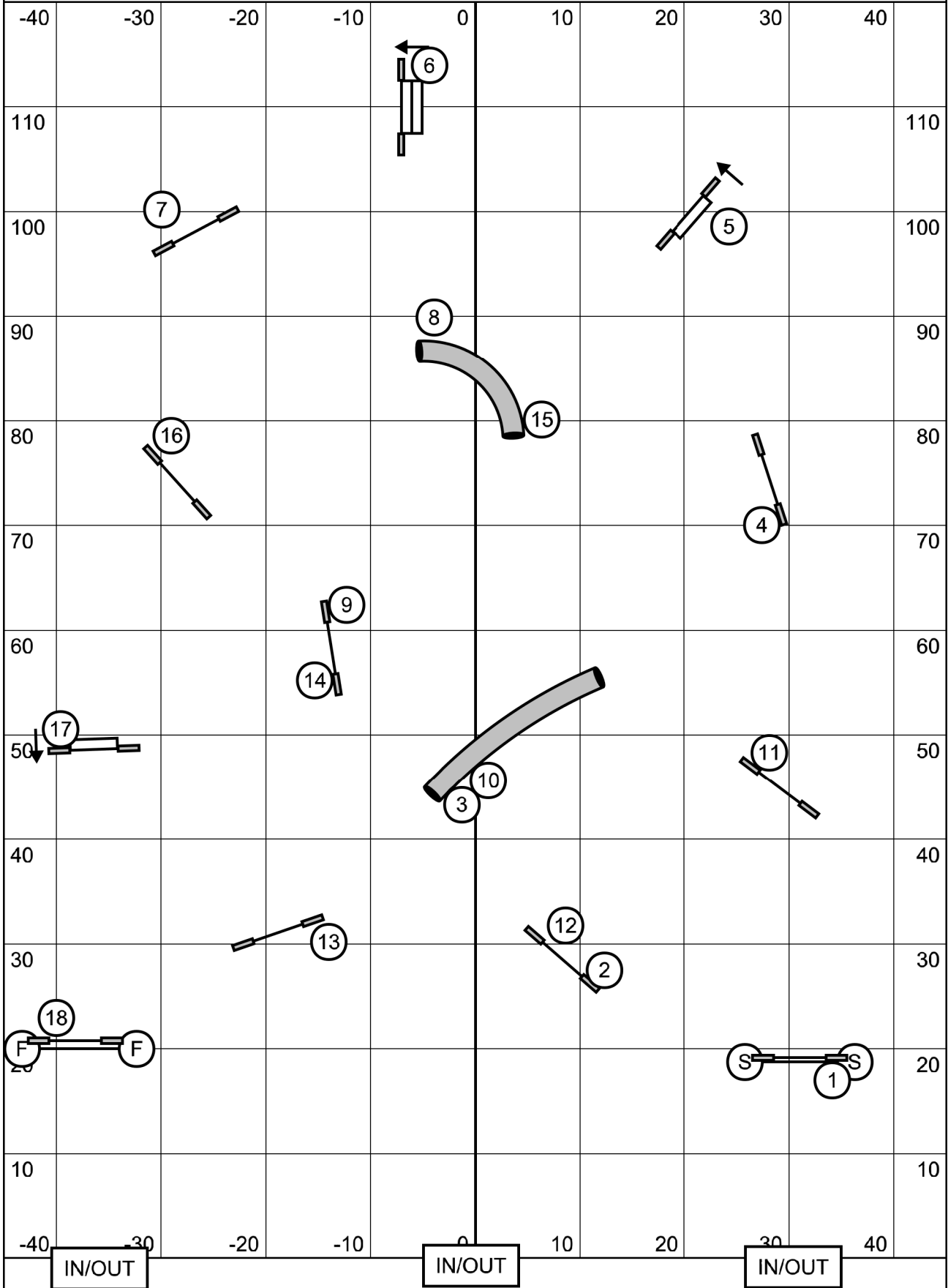
Master/PII/Vet Standard



Riverside Canine Center  
New England Regional  
USDA

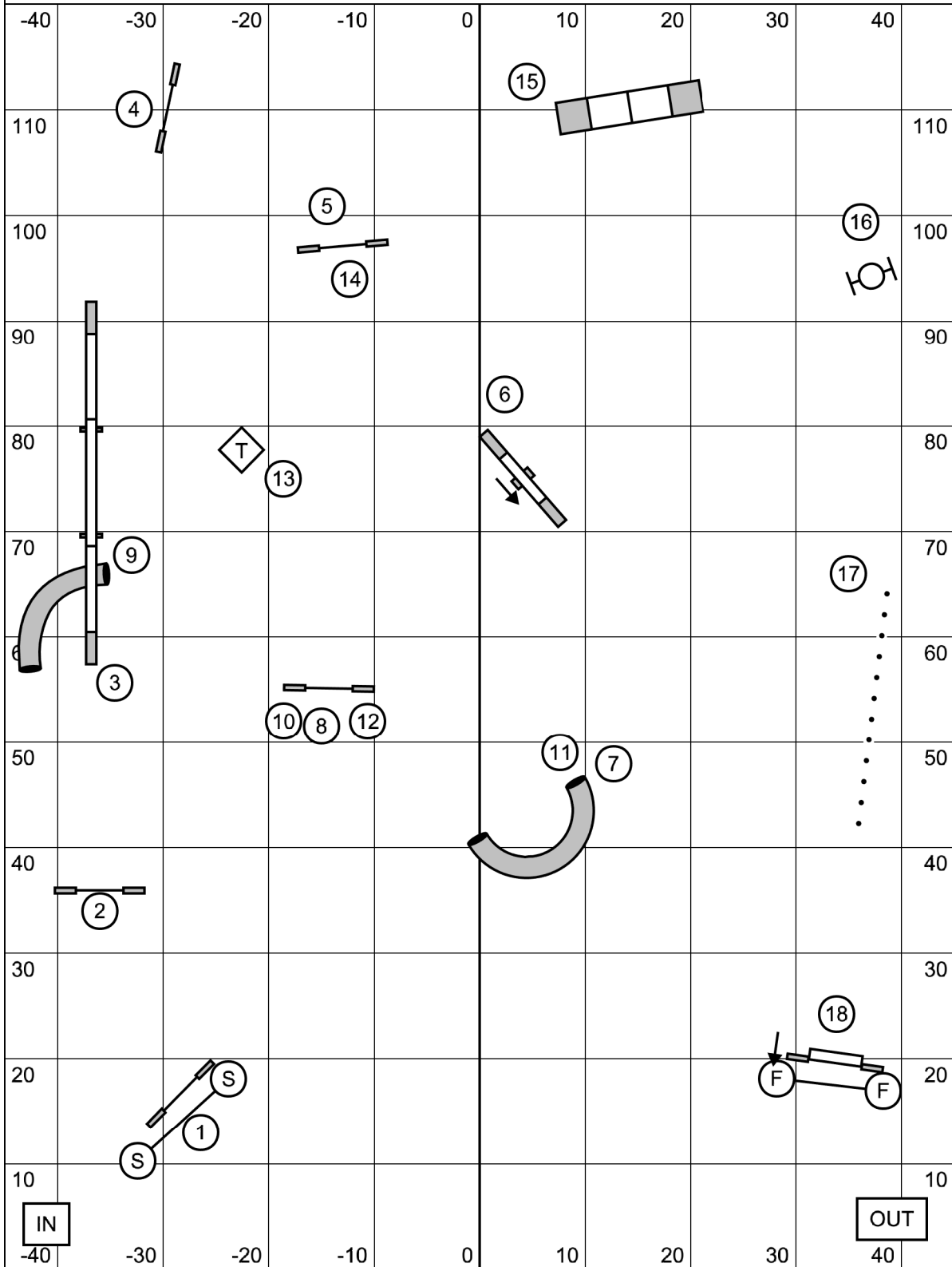
Stephen Routh

Masters / P3 / Vets Jumpers  
 Riverside Canine Center -- New England Regional -- July 9, 2021 -- Mike Murphy



July, 9th 2022

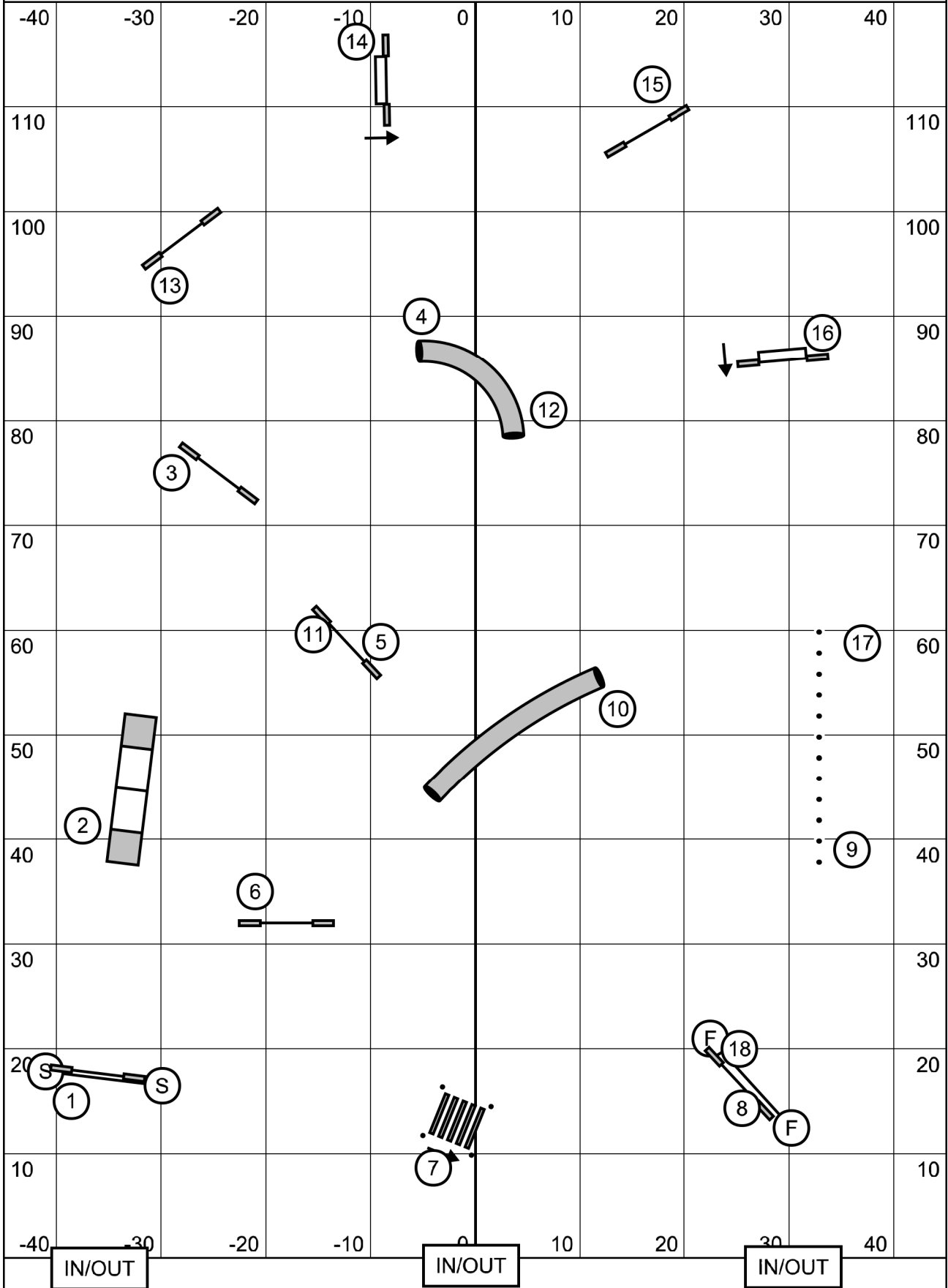
Advanced/PII Standard



Riverside Canine Center  
New England Regional  
USDA

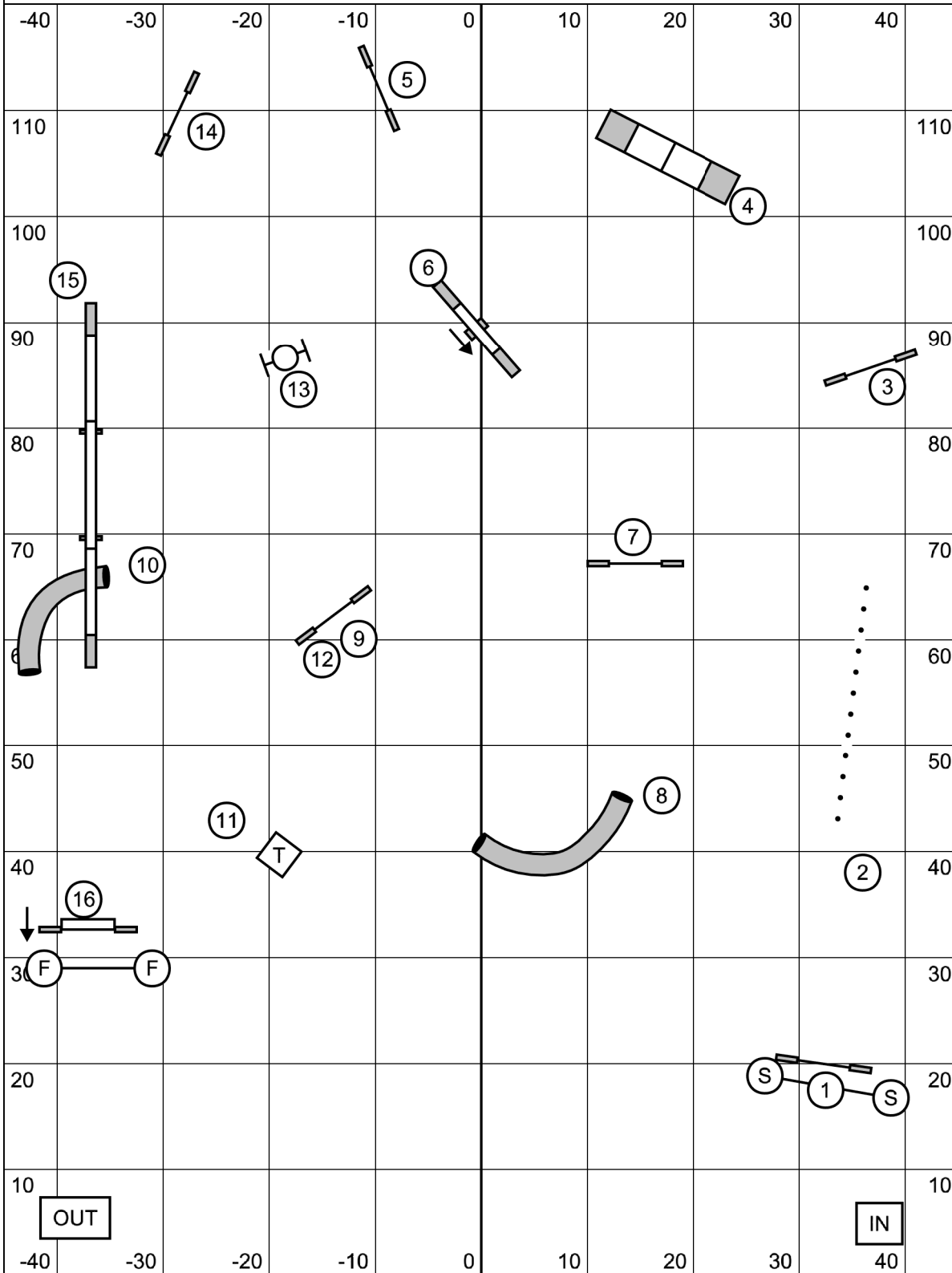
Stephen Routh

Regional Steeplechase Local Qualifier  
 Riverside Canine Center -- New England Regional -- July 9, 2021 -- Mike Murphy



July, 9th 2022

Starters/PI Standard

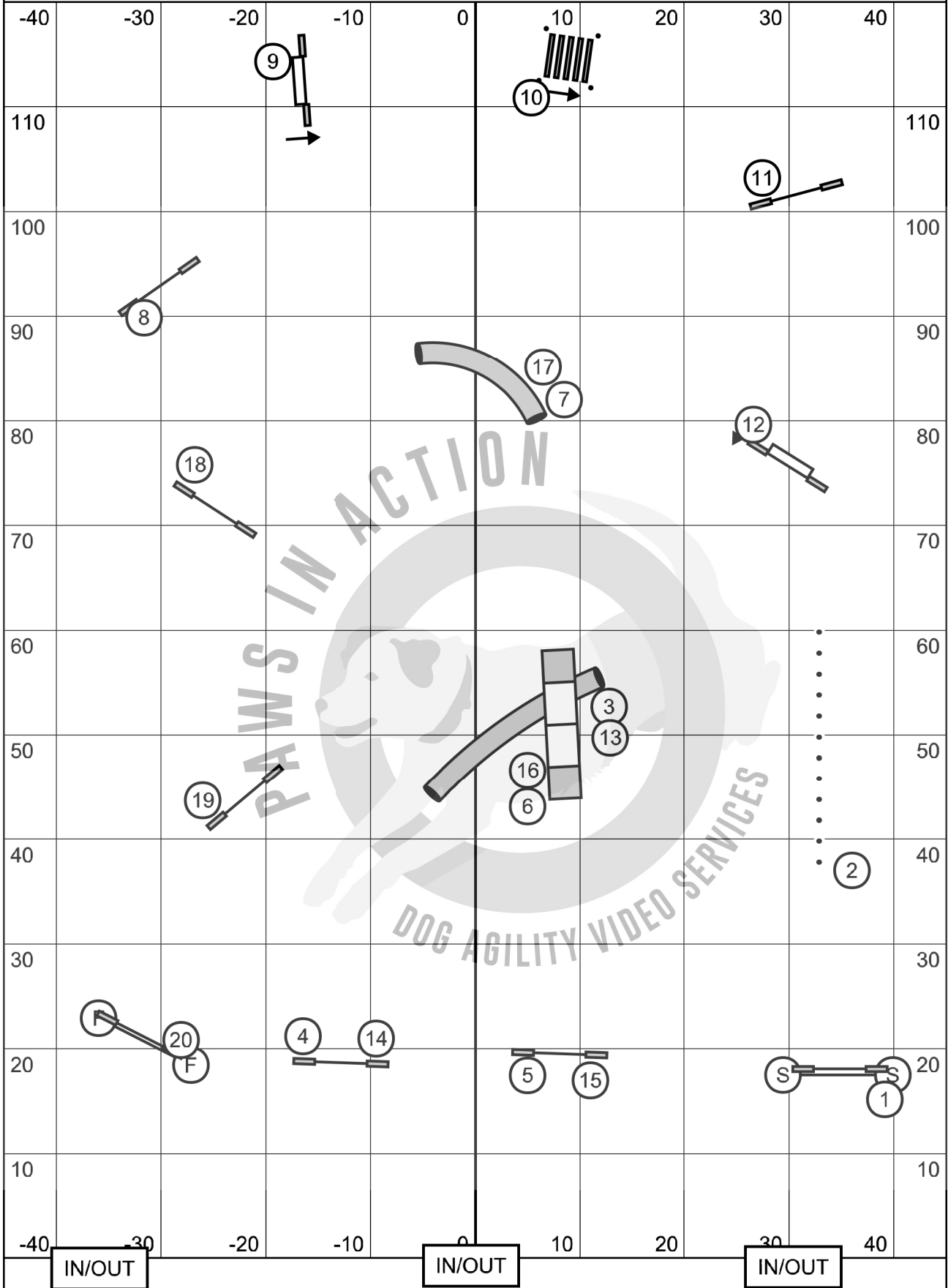


Riverside Canine Center  
New England Regional  
USDA

Stephen Routh

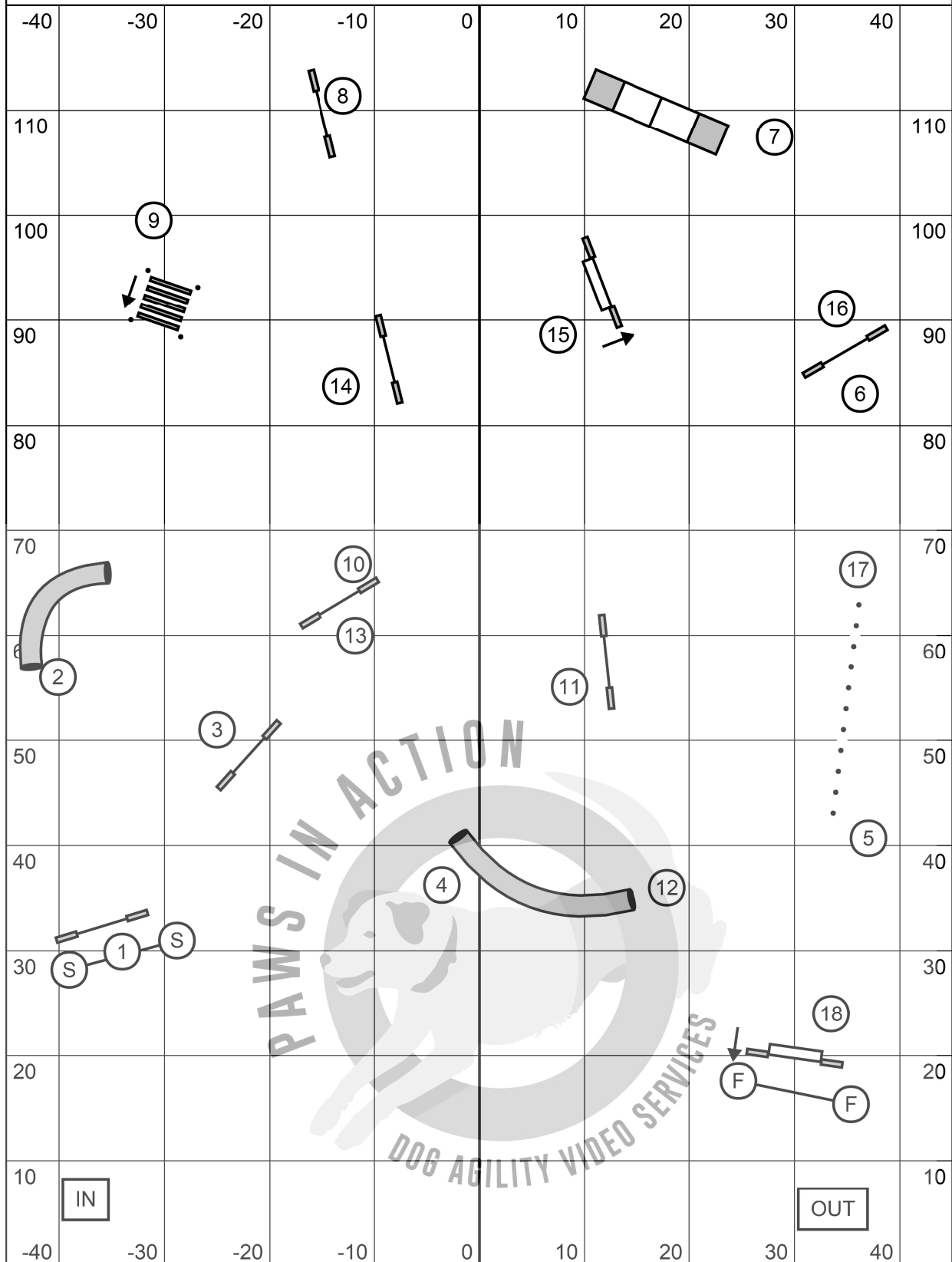


Regional Steeplechase Semifinals  
 Riverside Canine Center -- New England Regional -- July 9, 2021 -- Mike Murphy



July, 9th 2022

Regional Steeplechase Finals

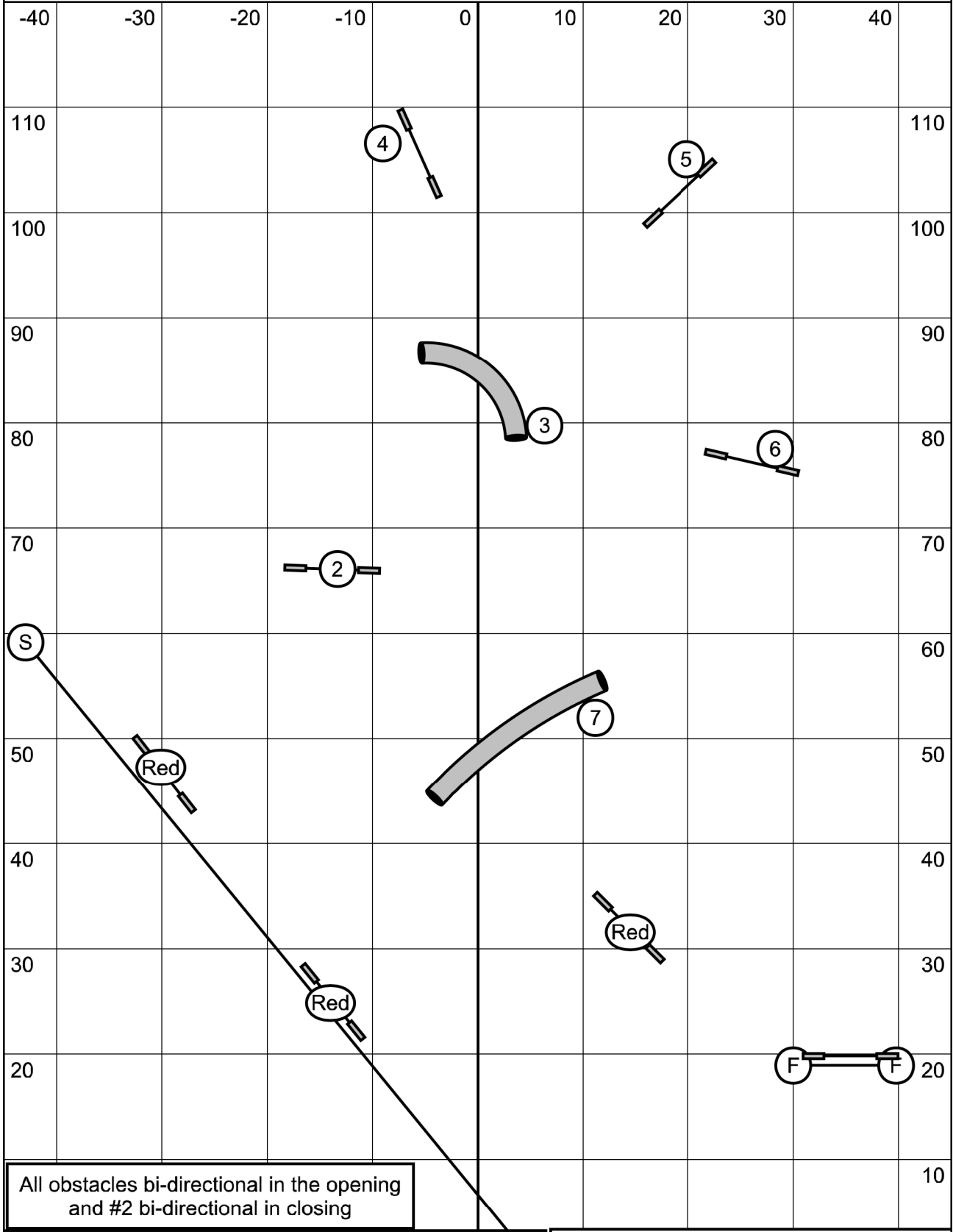


Riverside Canine Center  
New England Regional  
USDAA

Stephen Routh

Sponsored by Paws in Action

Advanced / P2 Snooker  
 Riverside Canine Center -- New England Regional -- July 9, 2021 -- Mike Murphy

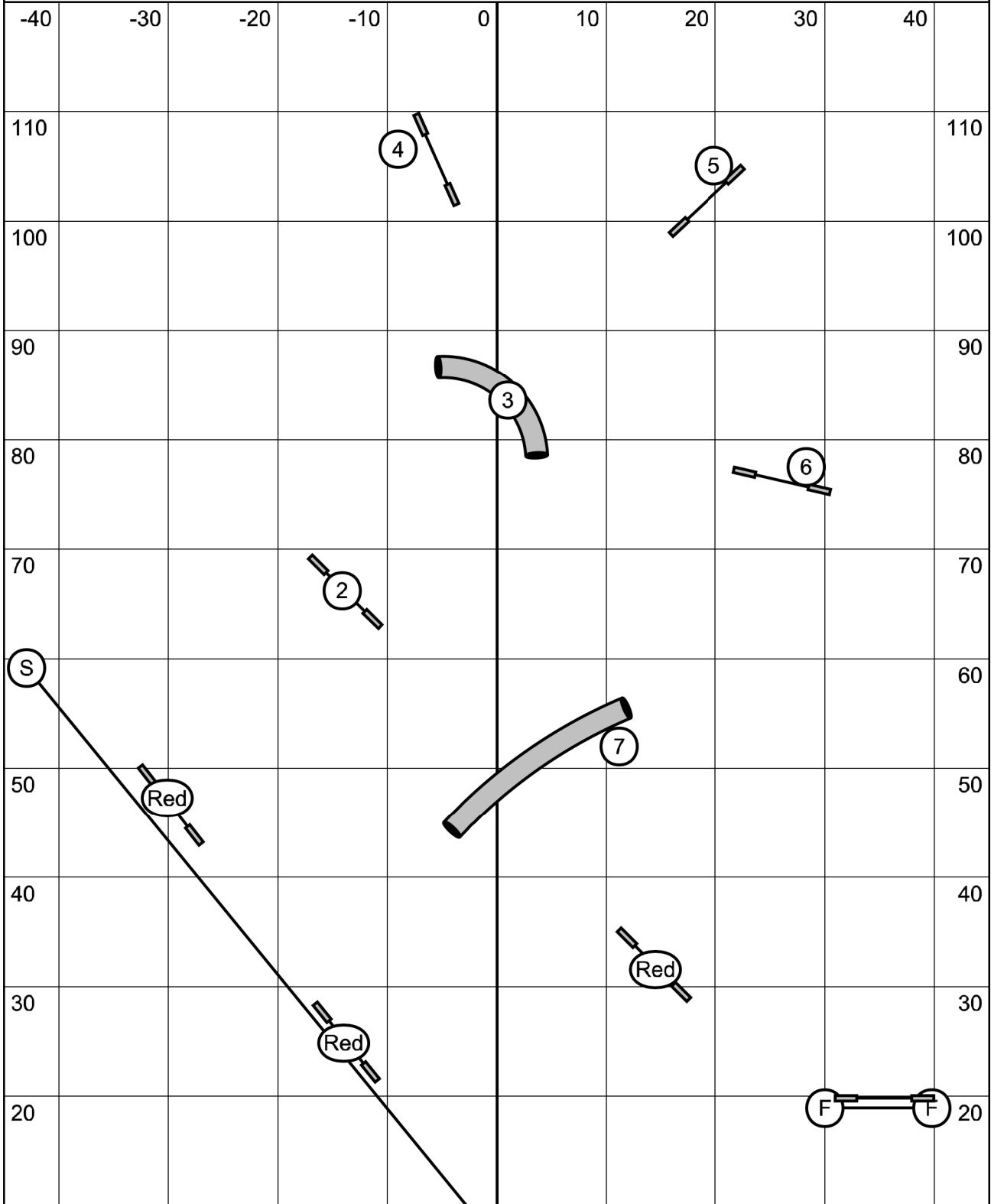


All obstacles bi-directional in the opening  
 and #2 bi-directional in closing

Champ: 10/12: 50 sec, 14/16: 48 sec, 20/22/24: 46 sec  
 Perf: 8: 52 sec, 12: 50 sec, 14/16/20: 48 sec

In opening, repeated obstacles within a  
 combo must be corrected for zero points

Starters / P1 Snooker  
 Riverside Canine Center -- New England Regional -- July 9, 2021 -- Mike Murphy

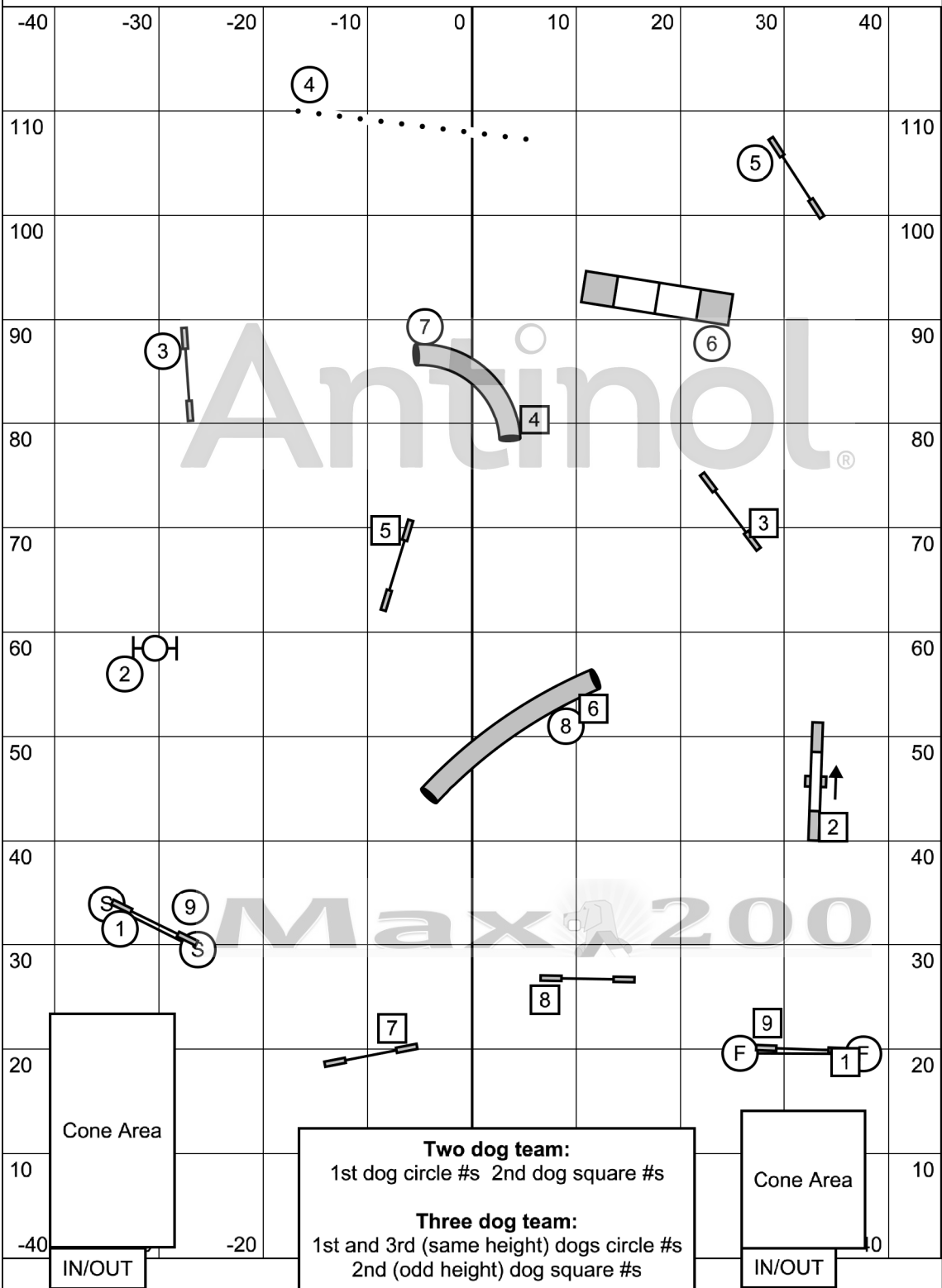


All obstacles bi-directional in the opening and #2 & #3 are bi-directional in closing

Champ: 10: 54 sec, 14/16: 52 sec, 20/22/24: 50 sec  
 Perf: 8: 56 sec, 12: 54 sec, 14/16/20: 52 sec

In opening, repeated obstacles within a combo must be corrected for zero points

**2 Dog and 3 Dog Team Relay**  
 Riverside Canine Center -- New England Regional -- July 9, 2021 -- Mike Murphy



Exchanges done via a traffic cone vs a baton.

Handlers for first dog and second dog (three dog teams) will touch the cone with any part of their body once their dog clears their last obstacle. The cone can be moved within the cone area. The last handler does NOT need to touch the cone. Handlers can pick up their dogs and/or use leash once dog clears last obstacle in the exchange area, even before touching cone.

If handler touches cone before the dog clears their last obstacle, 20 second fault. Three dog team will use 2 cones.

Handlers may hold their dogs, use leashes, but NO bowling or scruffing.

If handler who is required to touch the cone has an E, they can run to the cone and touch immediately after the E and the next handler can start. If next handler leaves before the cone is touched, 20 sec fault

2nd and/or 3rd handlers can lead out while prior dog is running, as long as they dont interfere with dog running. Teammates can restrain each others dogs for lead outs.

**Two dog team:**  
 1st dog circle #s 2nd dog square #s

**Three dog team:**  
 1st and 3rd (same height) dogs circle #s  
 2nd (odd height) dog square #s

Cone Area

IN/OUT

Cone Area

IN/OUT